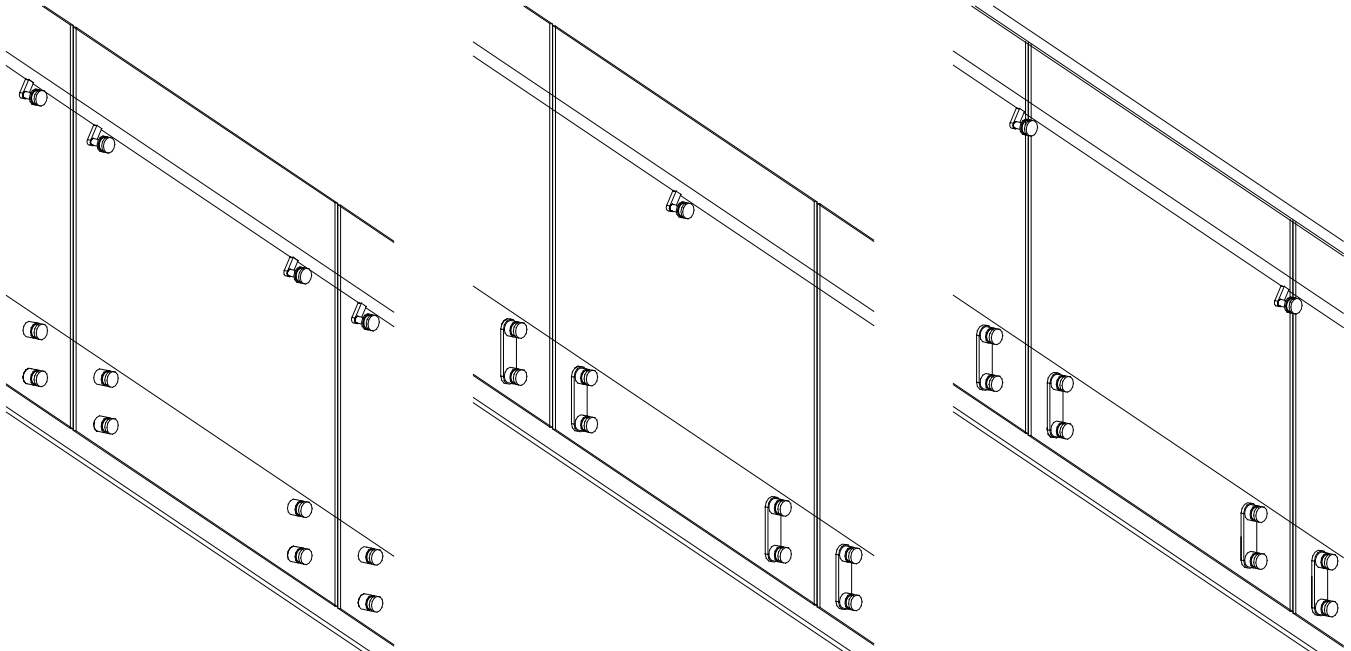




700 Creel Drive
Wood Dale, IL 60191
Office: 630.860.2990
Fax: 630.860.5913
artec-rail.com

FOCUS SYSTEM

TECHNICAL DETAILS



SYSTEM: FOCUS
REVISION 2016-05

COVER SHEET
FOCUS SYSTEM

NO SCALE
SHEET F-01 of 25