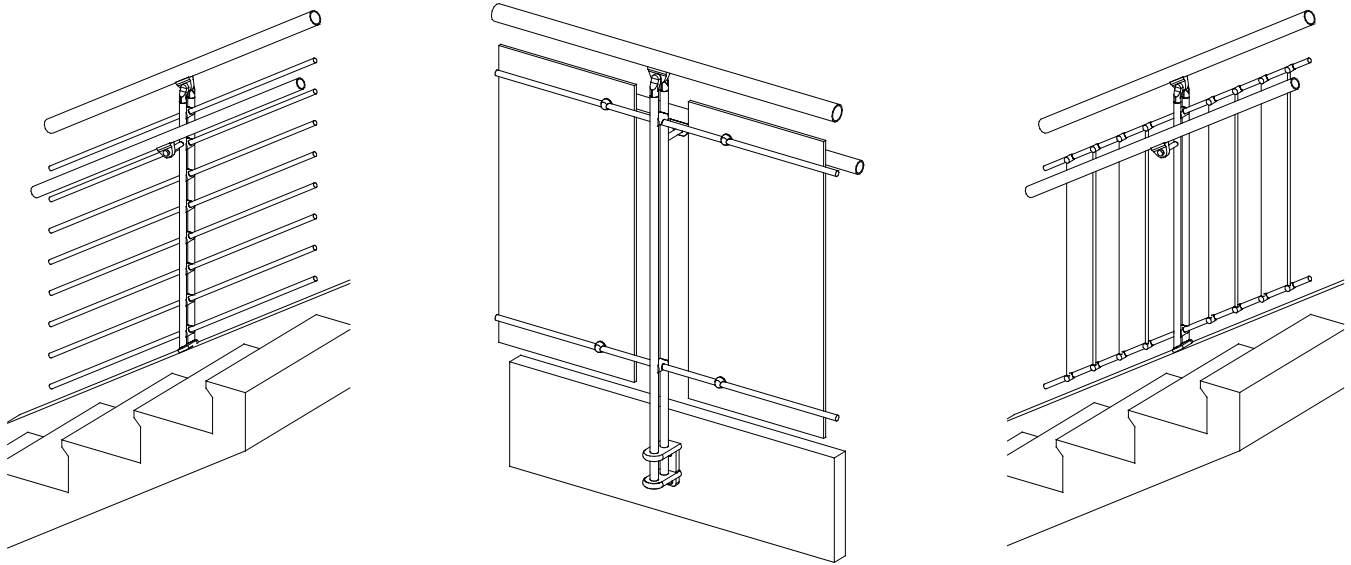




700 Creel Drive
 Wood Dale, IL 60191
 Office: 630.860.2990
 Fax: 630.860.5913
 artec-rail.com

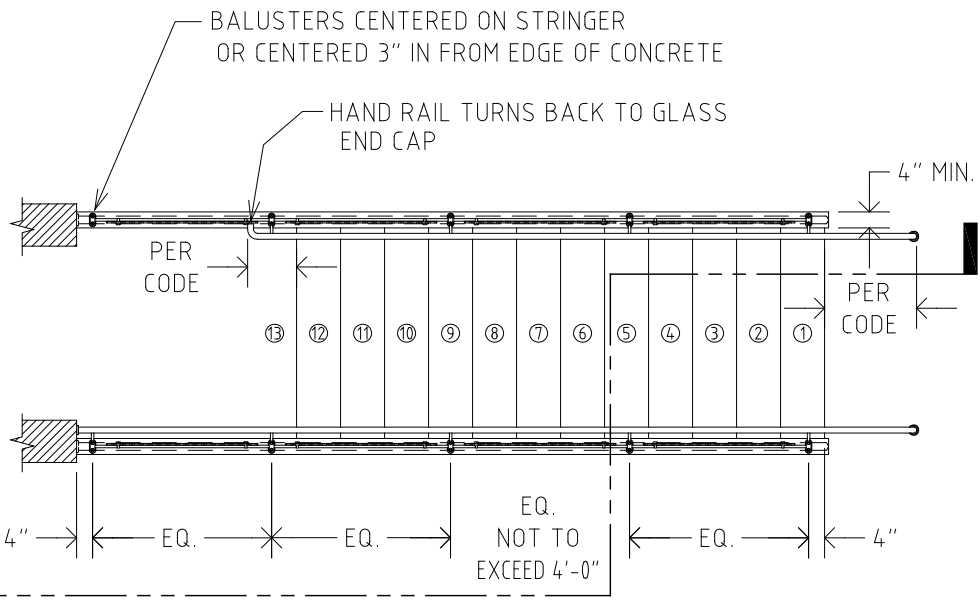
DOUBLE BALUSTER SYSTEM

TECHNICAL DETAILS

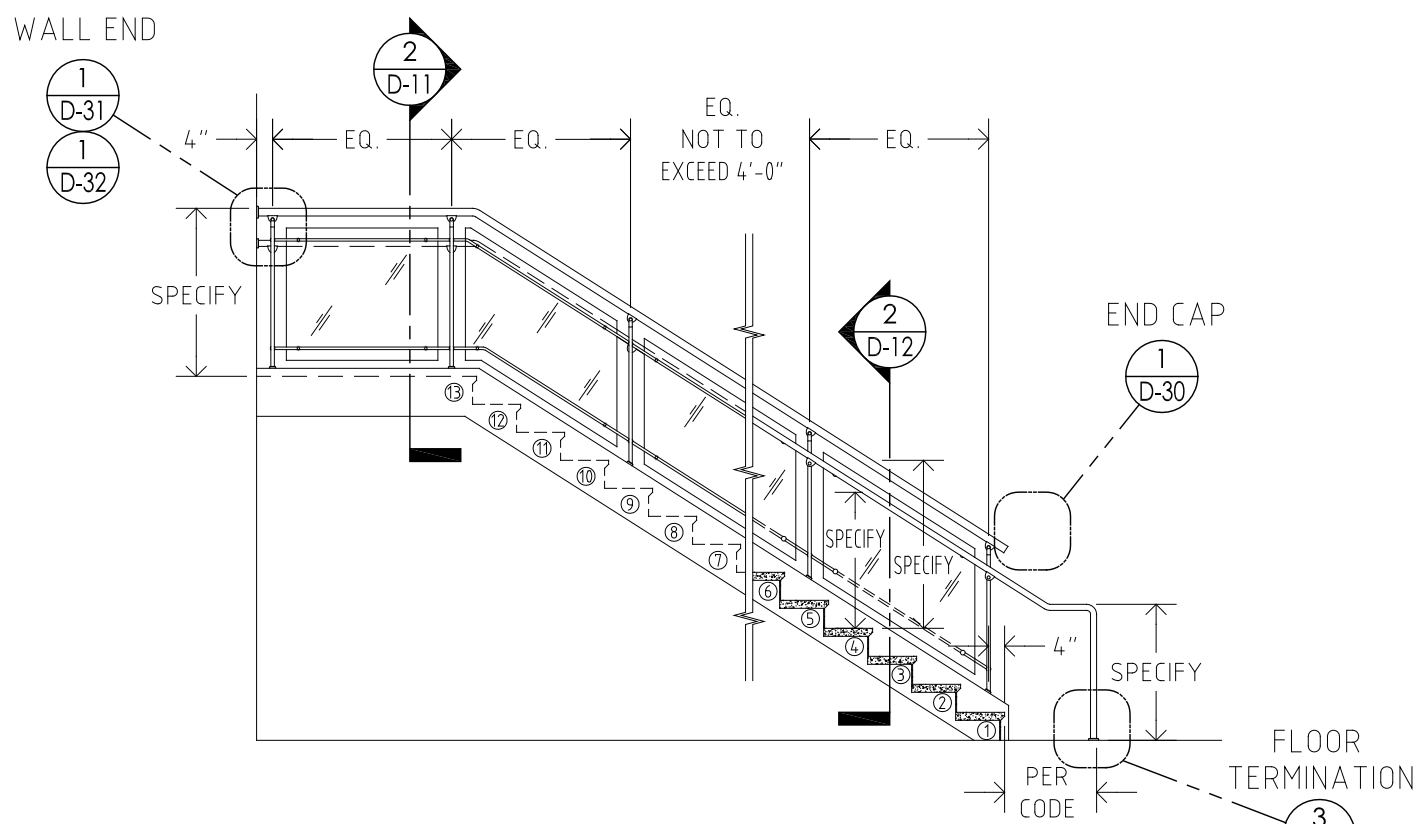


SYSTEM: DOUBLE BALUSTER	COVER SHEET	NO SCALE
	DOUBLE BALUSTER SYSTEM	
REVISION 2016-05		SHEET D-01 of 38

PAGE NUMBER	CONTENTS
D-01	COVER SHEET
D-02	TABLE OF CONTENTS
D-03	TOP MOUNT: PLAN AND ELEVATION, GLASS INFILL
D-04	SIDE MOUNT: PLAN AND ELEVATION, GLASS INFILL
D-05	TOP MOUNT: PLAN AND ELEVATION, HORIZONTAL TUBE INFILL
D-06	SIDE MOUNT: PLAN AND ELEVATION, HORIZONTAL TUBE INFILL
D-07	TOP MOUNT: PLAN AND ELEVATION, VERTICAL TUBE INFILL
D-08	SIDE MOUNT: PLAN AND ELEVATION, VERTICAL TUBE INFILL
D-09	CURVED RAILINGS: PLAN
D-10	WALL MOUNT AND NO-INFILL RAILINGS: PLAN AND ELEVATION
D-11	DETAIL ELEVATION: TOP MOUNT ON LEVEL RUN, GLASS INFILL
D-12	DETAIL ELEVATION: TOP MOUNT ON STAIR RUN, GLASS INFILL
D-13	DETAIL ELEVATION: SIDE MOUNT ON LEVEL RUN, GLASS INFILL
D-14	DETAIL ELEVATION: SIDE MOUNT ON STAIR RUN, GLASS INFILL
D-15	DETAIL ELEVATION: TOP MOUNT ON LEVEL RUN, HORIZONTAL INFILL
D-16	DETAIL ELEVATION: TOP MOUNT ON STAIR RUN, HORIZONTAL INFILL
D-17	DETAIL ELEVATION: SIDE MOUNT ON LEVEL RUN, HORIZONTAL INFILL
D-18	DETAIL ELEVATION: SIDE MOUNT ON STAIR RUN, HORIZONTAL INFILL
D-19	DETAIL ELEVATION: TOP MOUNT ON LEVEL RUN, VERTICAL INFILL
D-20	DETAIL ELEVATION: TOP MOUNT ON STAIR RUN, VERTICAL INFILL
D-21	DETAIL ELEVATION: SIDE MOUNT ON LEVEL RUN, VERTICAL INFILL
D-22	DETAIL ELEVATION: SIDE MOUNT ON STAIR RUN, VERTICAL INFILL
D-23	DETAIL PLAN & ELEVATION: "WILLY BOW"
D-24	BALUSTER ANCHORAGE DETAILS: TOP MOUNT
D-25	BALUSTER ANCHORAGE DETAILS: SIDE MOUNT, STEEL
D-26	BALUSTER ANCHORAGE DETAILS: SIDE MOUNT, CONCRETE & WOOD
D-27	BALUSTER ANCHORAGE DETAILS: BALUSTER AT CANTILEVER TREAD
D-28	FITTING DETAILS: FIRST GUARD RAIL
D-29	FITTING DETAILS: 2nd HAND RAIL AND GLASS FITTINGS
D-30	FITTING DETAILS: END CAP & RAILING STARTERS
D-31	FITTING DETAILS: GUARD RAIL WALL TERMINATION
D-32	FITTING DETAILS: HAND RAIL WALL TERMINATION
D-33	FITTING DETAILS: WALL MOUNT BRACKETS
D-34	DETAIL PLANS: SIDE MOUNT CONDITIONS
D-35	DETAIL PLANS: FRAME TUBES & PICKETS AT CORNERS
D-36	TUBE BENDING / ELBOWS
D-37	DETAILS: WOOD RAILS
D-38	DETAILS: L.E.D. LIGHTS IN RAILINGS



1 TYPICAL PLAN: TOP MOUNT SYSTEM
 D-03 SCALE: 1/4" = 1'-0"



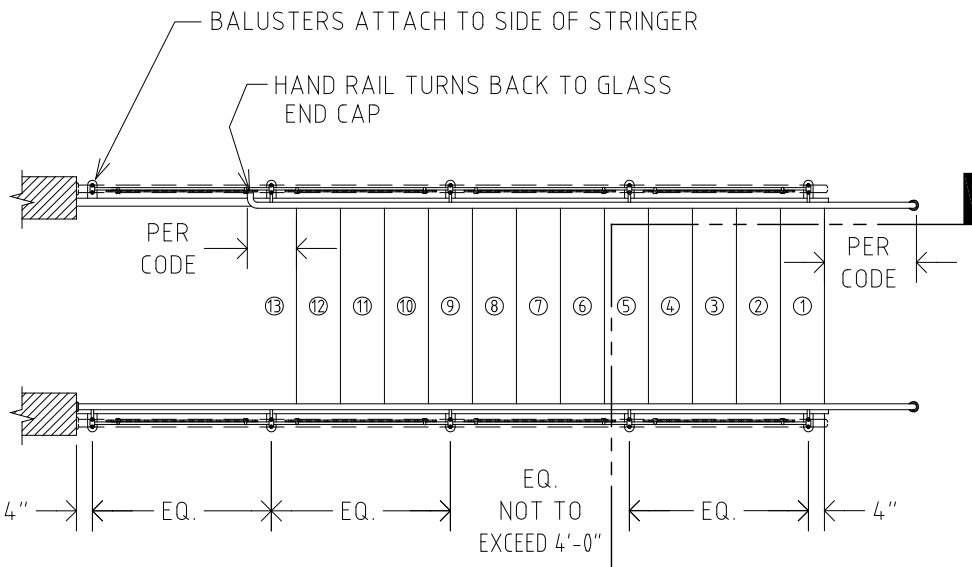
2 TYPICAL ELEVATION: TOP MOUNT SYSTEM
 D-03 SCALE: 1/4" = 1'-0"



SYSTEM: DOUBLE BALUSTER
 REVISION 2016-05

PLAN & ELEVATION
 TOP MOUNT

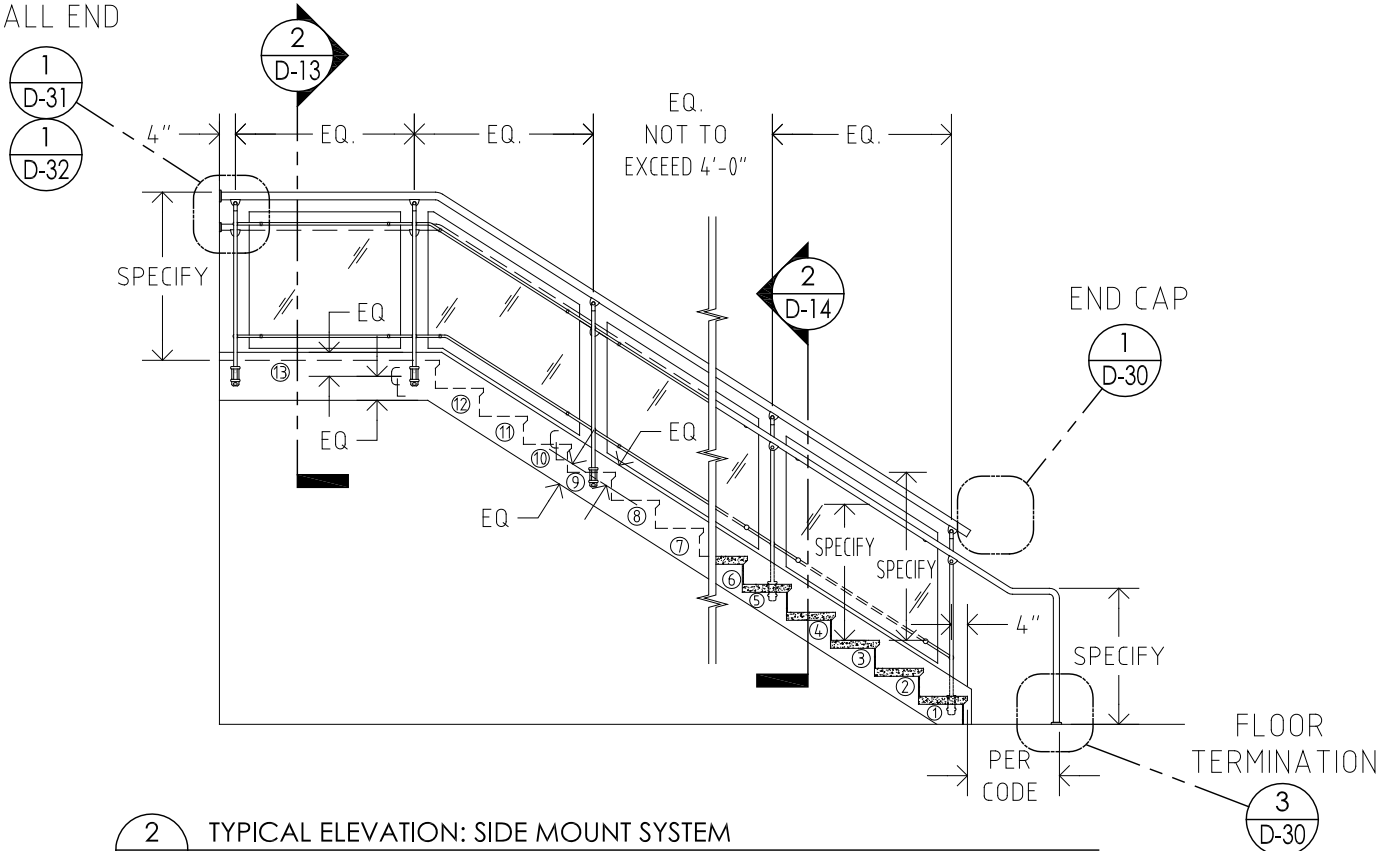
1/4" = 1'-0" (8.5 x 11)
 SHEET D-03 of 38



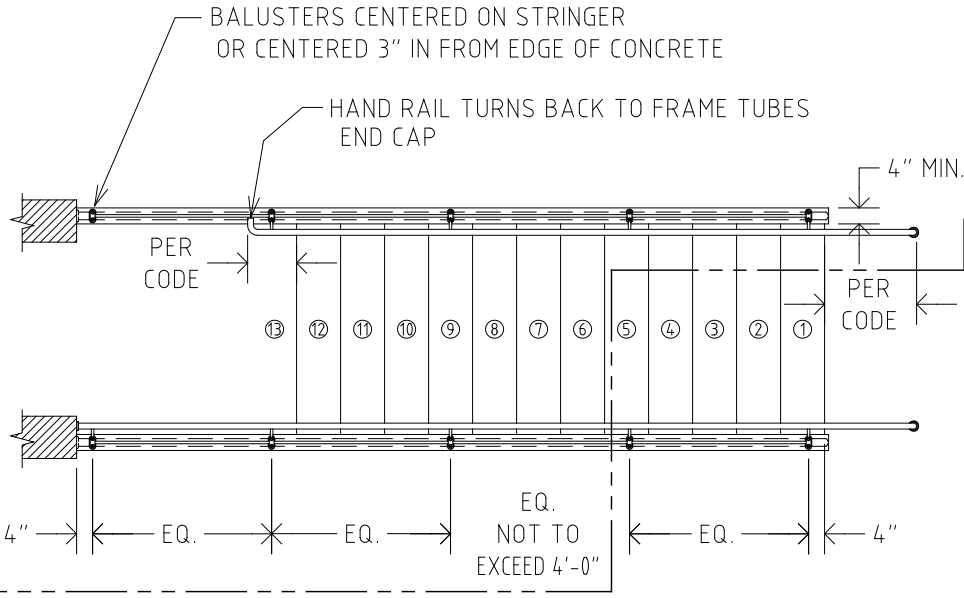
2
D-04

1
D-04 TYPICAL PLAN: SIDE MOUNT SYSTEM
SCALE: 1/4" = 1'-0"

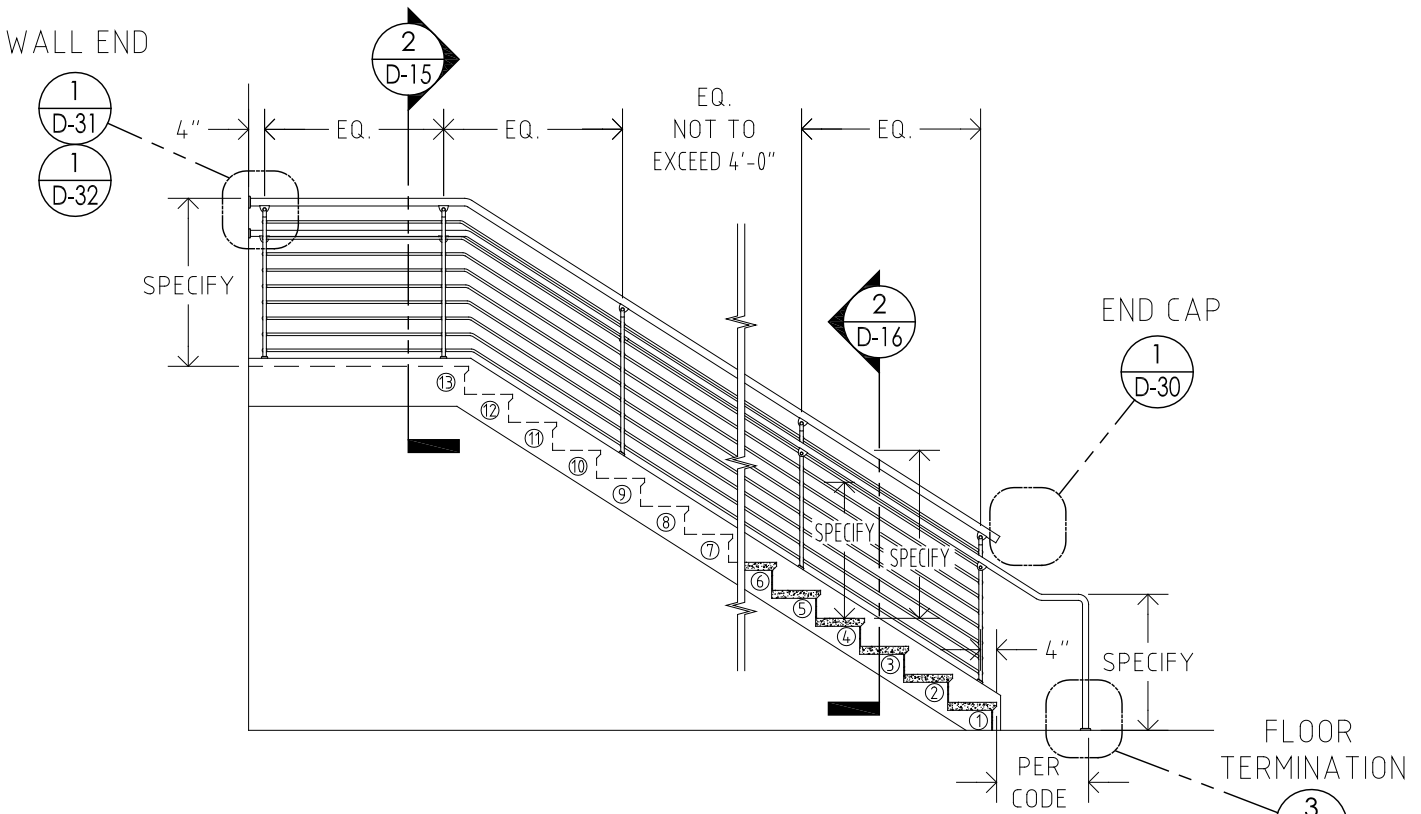
WALL END



2
D-04 TYPICAL ELEVATION: SIDE MOUNT SYSTEM
SCALE: 1/4" = 1'-0"



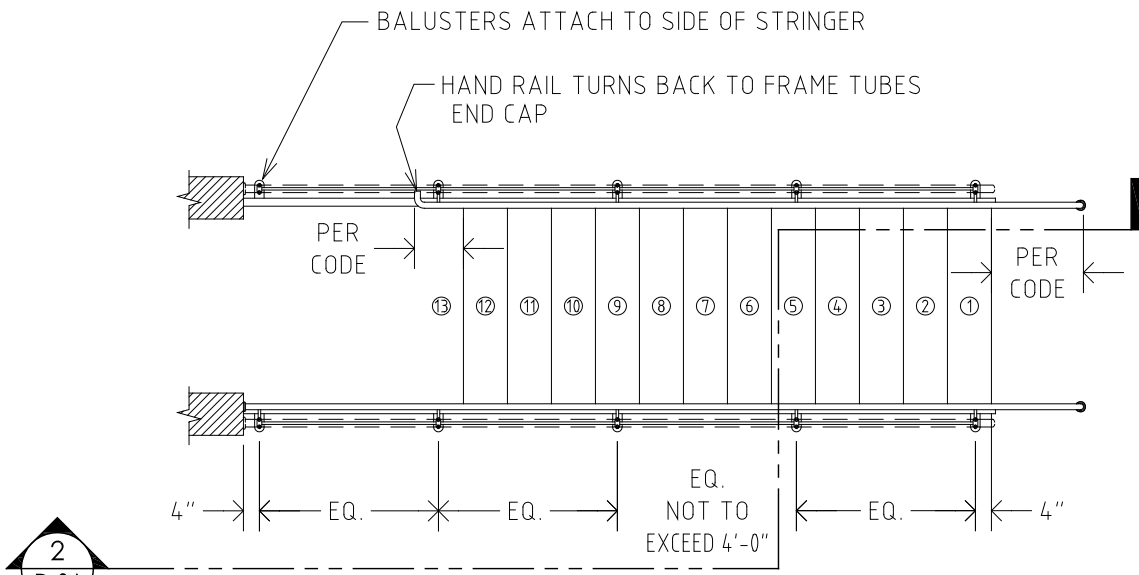
1 TYPICAL PLAN: TOP MOUNT SYSTEM w/ HORIZONTAL FRAME TUBES
 SCALE: 1/4" = 1'-0"



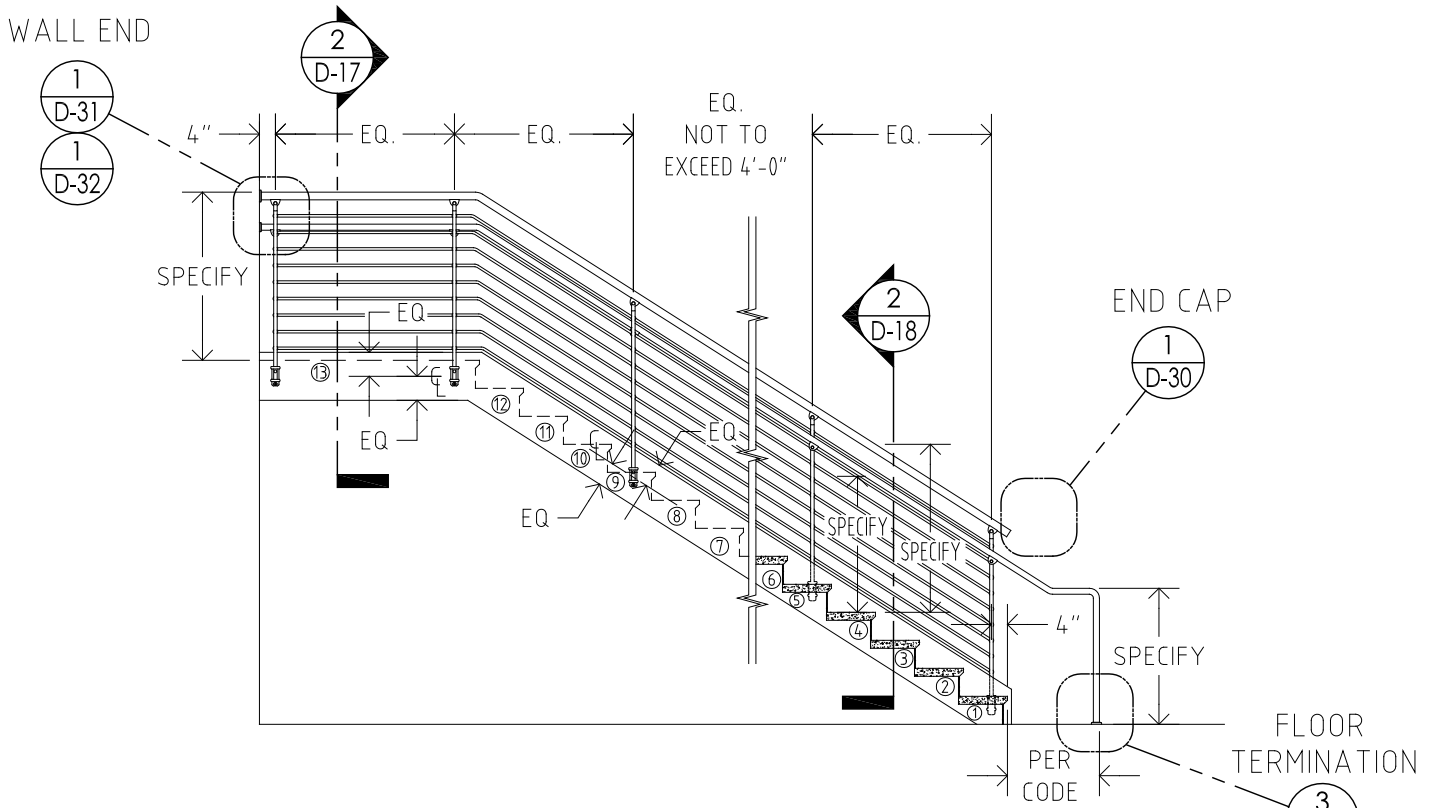
2 TYPICAL ELEVATION: TOP MOUNT SYSTEM w/ HORIZONTAL FRAME TUBES
 SCALE: 1/4" = 1'-0"



SYSTEM: DOUBLE BALUSTER	PLAN & ELEVATION	1/4" = 1'-0" (8.5 x 11)
	TOP MOUNT	
REVISION 2016-05	HORIZONTAL FRAME TUBES	SHEET D-05 of 38



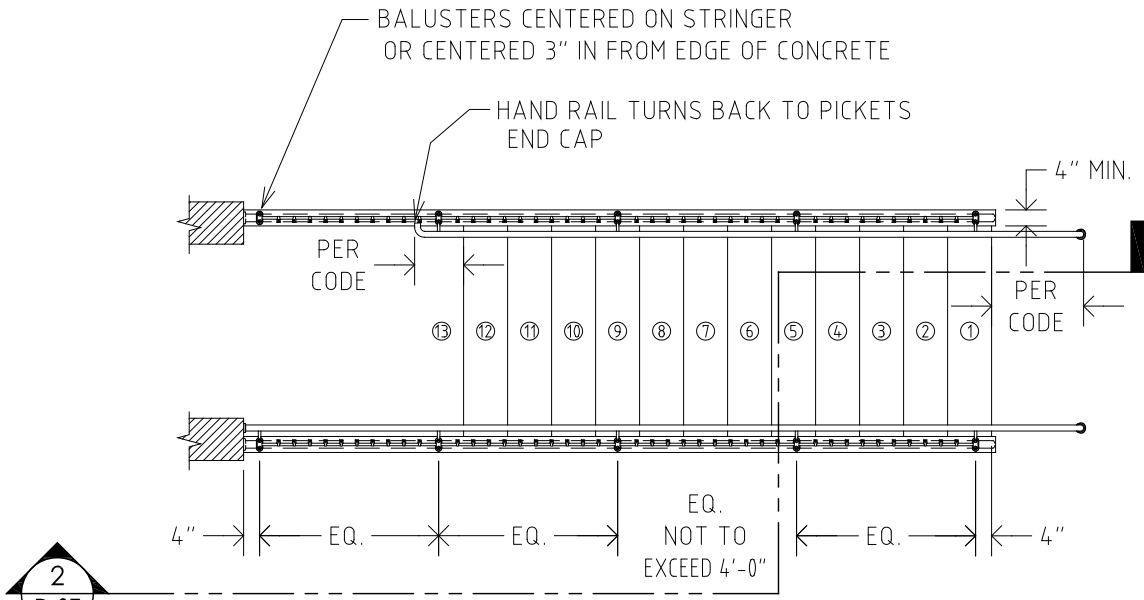
1 TYPICAL PLAN: SIDE MOUNT SYSTEM w/ HORIZONTAL FRAME TUBES
 D-06 SCALE: 1/4" = 1'-0"



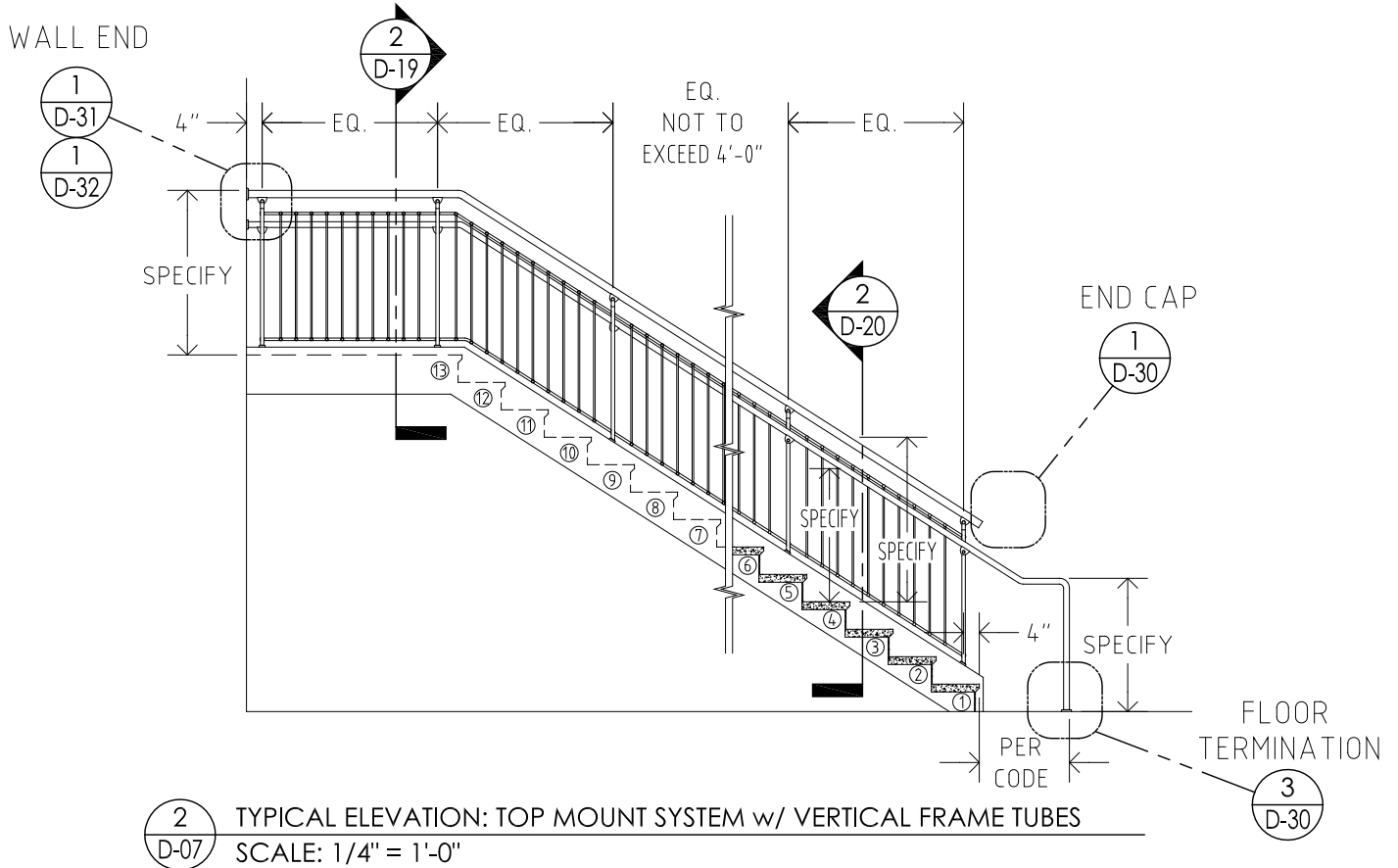
2 TYPICAL ELEVATION: SIDE MOUNT SYSTEM w/ HORIZONTAL FRAME TUBES
 D-06 SCALE: 1/4" = 1'-0"



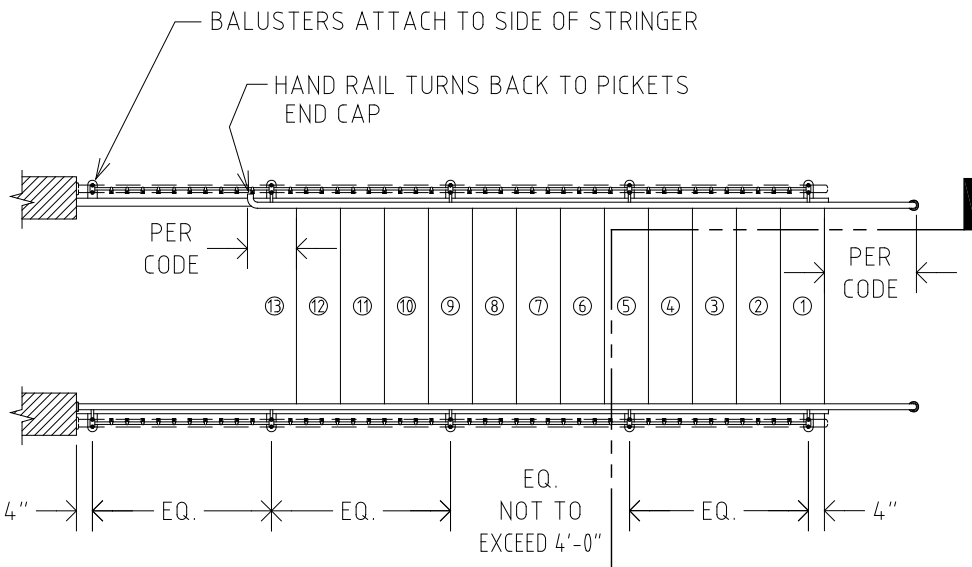
SYSTEM: DOUBLE BALUSTER	PLAN & ELEVATION	1/4" = 1'-0" (8.5 x 11)
	SIDE MOUNT	
REVISION 2016-05	HORIZONTAL FRAME TUBES	SHEET D-06 of 38



1
D-07
TYPICAL PLAN: TOP MOUNT SYSTEM w/ VERTICAL FRAME TUBES
SCALE: 1/4" = 1'-0"



2
D-07
TYPICAL ELEVATION: TOP MOUNT SYSTEM w/ VERTICAL FRAME TUBES
SCALE: 1/4" = 1'-0"

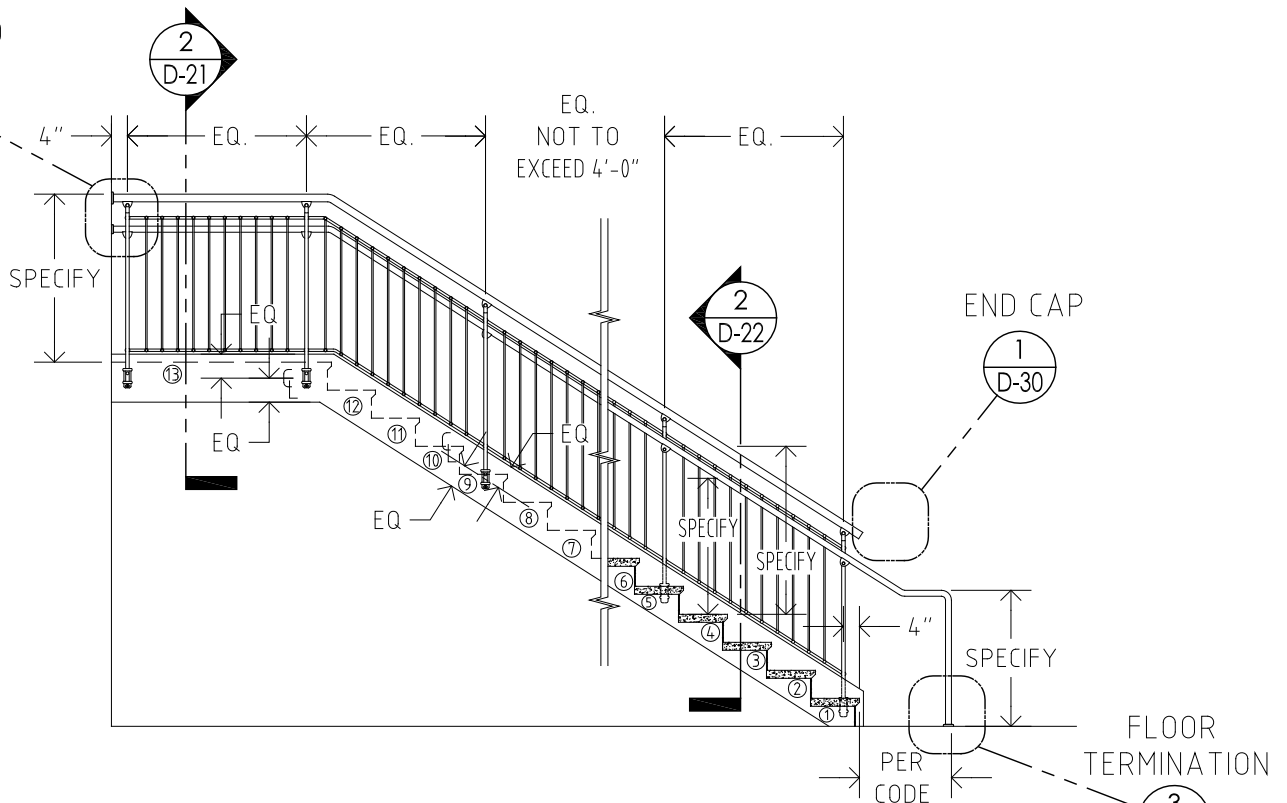


2
D-08

1
D-08 TYPICAL PLAN: SIDE MOUNT SYSTEM w/ VERTICAL PICKETS
SCALE: 1/4" = 1'-0"

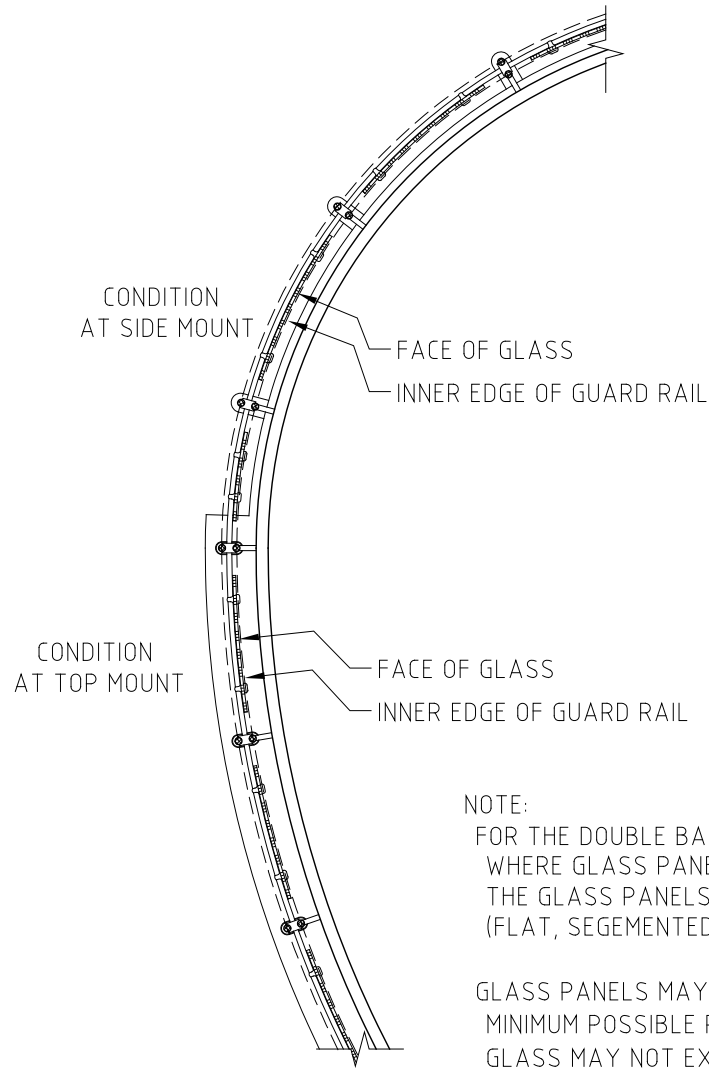
WALL END

1
D-31
1
D-32



2
D-08 TYPICAL ELEVATION: SIDE MOUNT SYSTEM w/ VERTICAL PICKETS
SCALE: 1/4" = 1'-0"

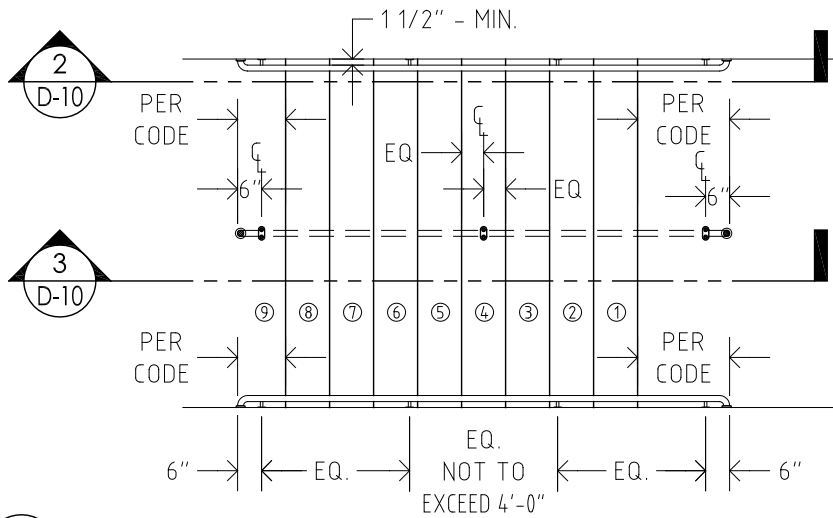
3
D-30



NOTE:
 FOR THE DOUBLE BALUSTER SYTEM,
 WHERE GLASS PANELS ARE REQUIRED AT CURVED RAILINGS,
 THE GLASS PANELS SHALL BE CURVED.
 (FLAT, SEGEMENTED GLASS IS UN-WORKABLE IN THIS CASE)

GLASS PANELS MAY BE CURVED, BUT THE
 MINIMUM POSSIBLE RADIUS IS 30", AND THE
 GLASS MAY NOT EXCEED 90° OF BENDING
 (A QUARTER OF A CIRCLE MAX.)

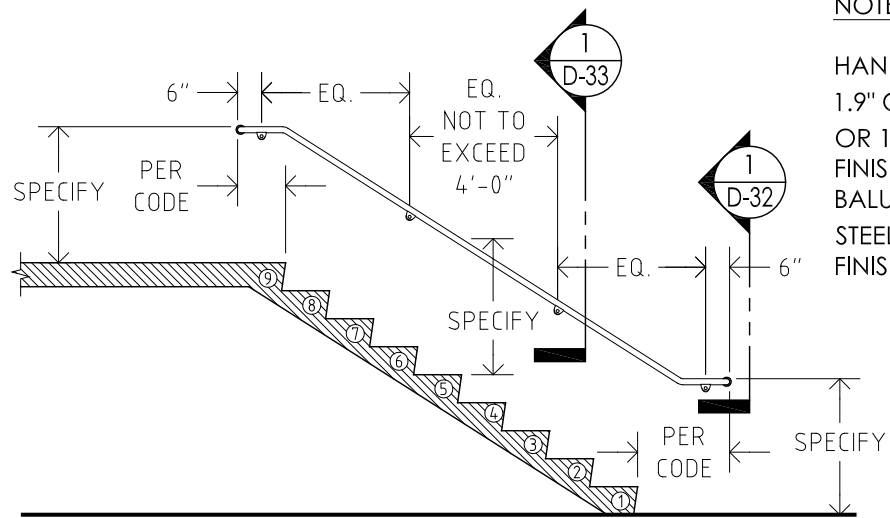
1 SCHEMATIC PLAN: CURVED RAILINGS
 D-09 SCALE: 1/2" = 1'-0"



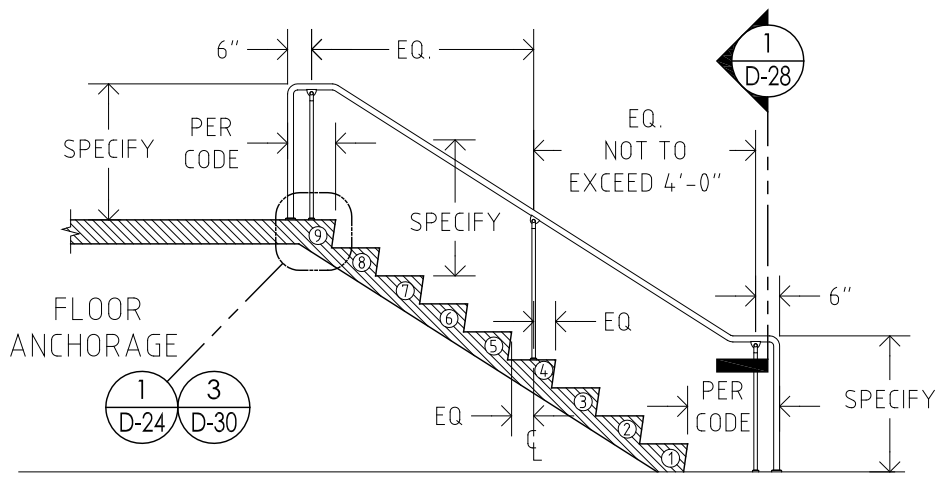
1 PLAN: WALL MOUNT HANDRAIL & NO-INFILL RAILING
 D-10 SCALE: 1/4" = 1'-0"

NOTES:

HANDRAIL TUBES IN 304 STAINLESS STEEL - 1.9" O.D. APPROVED BY A.D.A. (1 7/8" O.D.) OR 1.5" O.D. (1 1/2") WITH 360-400 GRIT FINISH (CIRCUMFERENCIAL).
 BALUSTER TUBE PAIRS IN 304 STAINLESS STEEL - 22mm O.D. (7/8") WITH 360-400 GRIT FINISH (CIRCUMFERENCIAL).

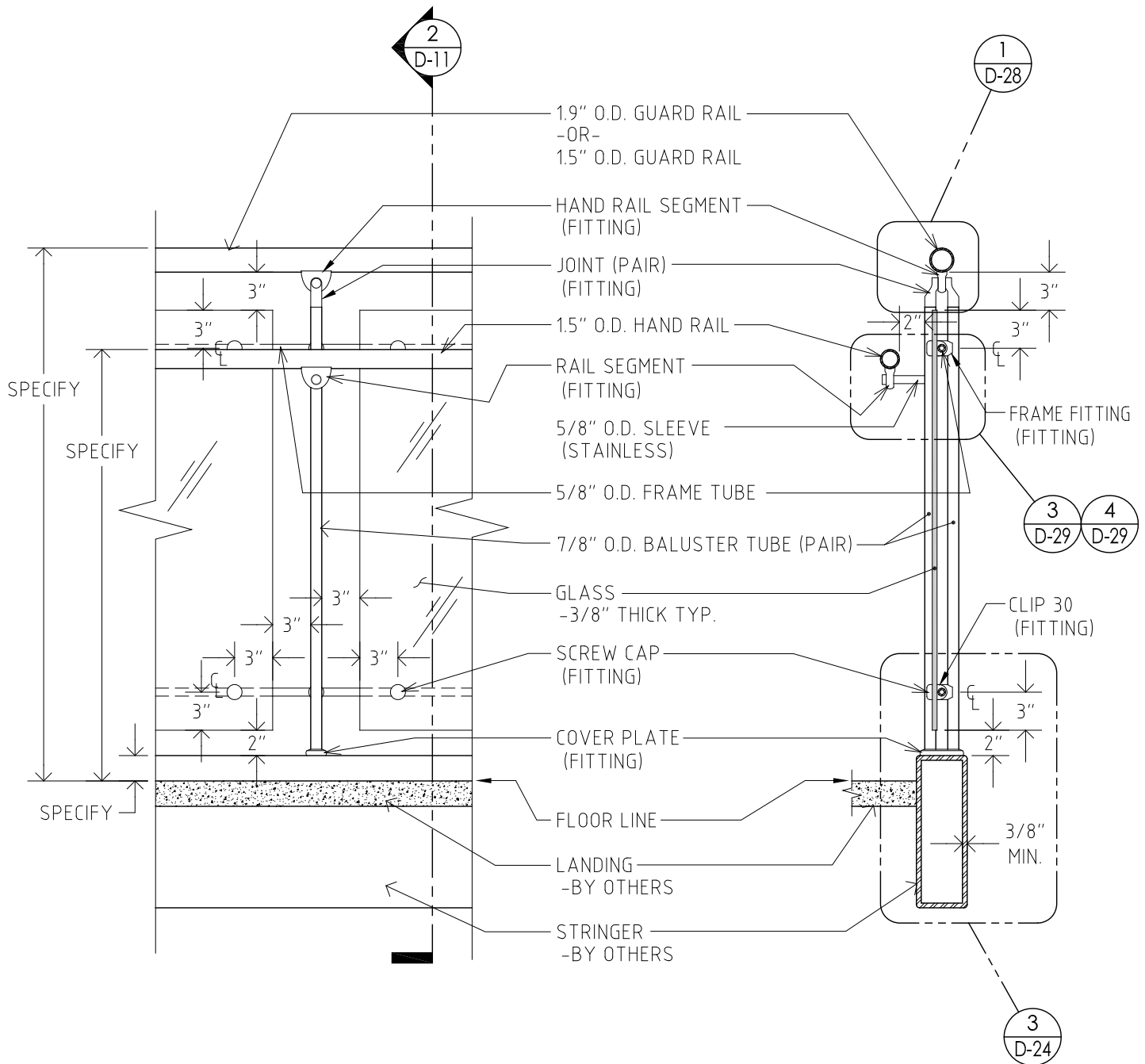


2 ELEVATION: WALL MOUNT HANDRAIL
 D-10 SCALE: 1/4" = 1'-0"



3 ELEVATION: NO-INFILL RAILING
 D-10 SCALE: 1/4" = 1'-0"

	SYSTEM: DOUBLE BALUSTER	PLAN & ELEVATION	1/4" = 1'-0" (8.5 x 11)
		WALL MOUNT & NO-INFILL RAILINGS	
	REVISION 2016-05		SHEET D-10 of 38



1
D-11

DETAIL ELEVATION: TOP MOUNT AT LEVEL FLOOR
SCALE: 1" = 1'-0"

2
D-11

DETAIL SECTION
SCALE: 1" = 1'-0"

NOTES:

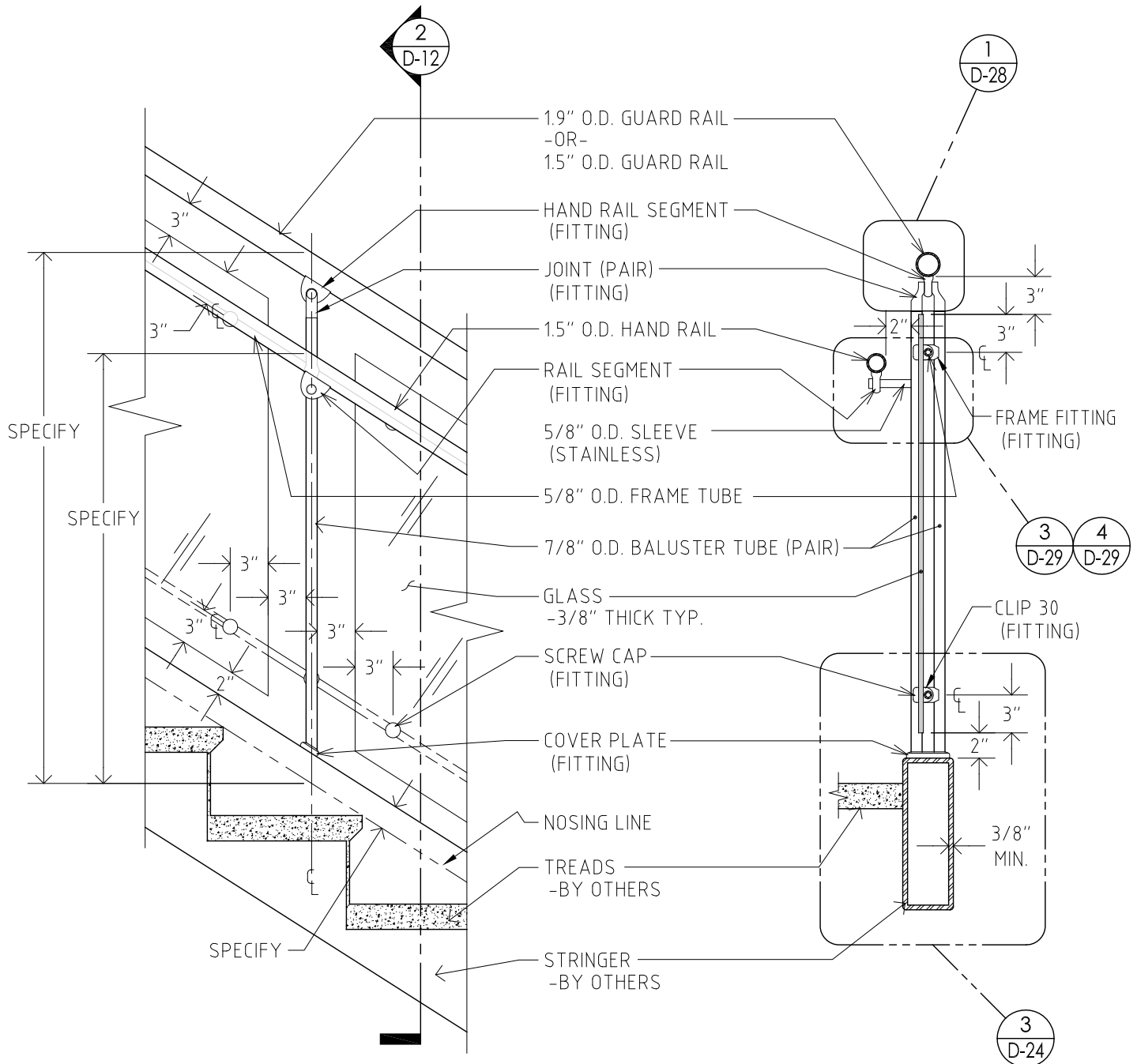
HANDRAIL TUBES IN 304 STAINLESS STEEL - 1.9" O.D. APPROVED BY A.D.A. (1 7/8" O.D.) OR 1.5" O.D. (1 1/2") WITH 360-400 GRIT FINISH (CIRCUMFERENCIAL).

BALUSTER TUBE PAIRS IN 304 STAINLESS STEEL - 22mm O.D. (7/8") WITH 360-400 GRIT FINISH (CIRCUMFERENCIAL).

FRAME TUBES IN HARD DRAWN STAINLESS STEEL - 15mm O.D. (5/8") WITH 360-400 GRIT FINISH (CIRCUMFERENCIAL).



SYSTEM: DOUBLE BALUSTER	DETAIL ELEVATION & SECTION	1" = 1'-0" (8.5 x 11)
	TOP MOUNT RAILINGS	
REVISION 2016-05	RAILING RUN AT LEVEL FLOOR	SHEET D-11 of 38



1
D-12

DETAIL ELEVATION: TOP MOUNT ON STAIR RUN
SCALE: 1" = 1'-0"

2
D-12

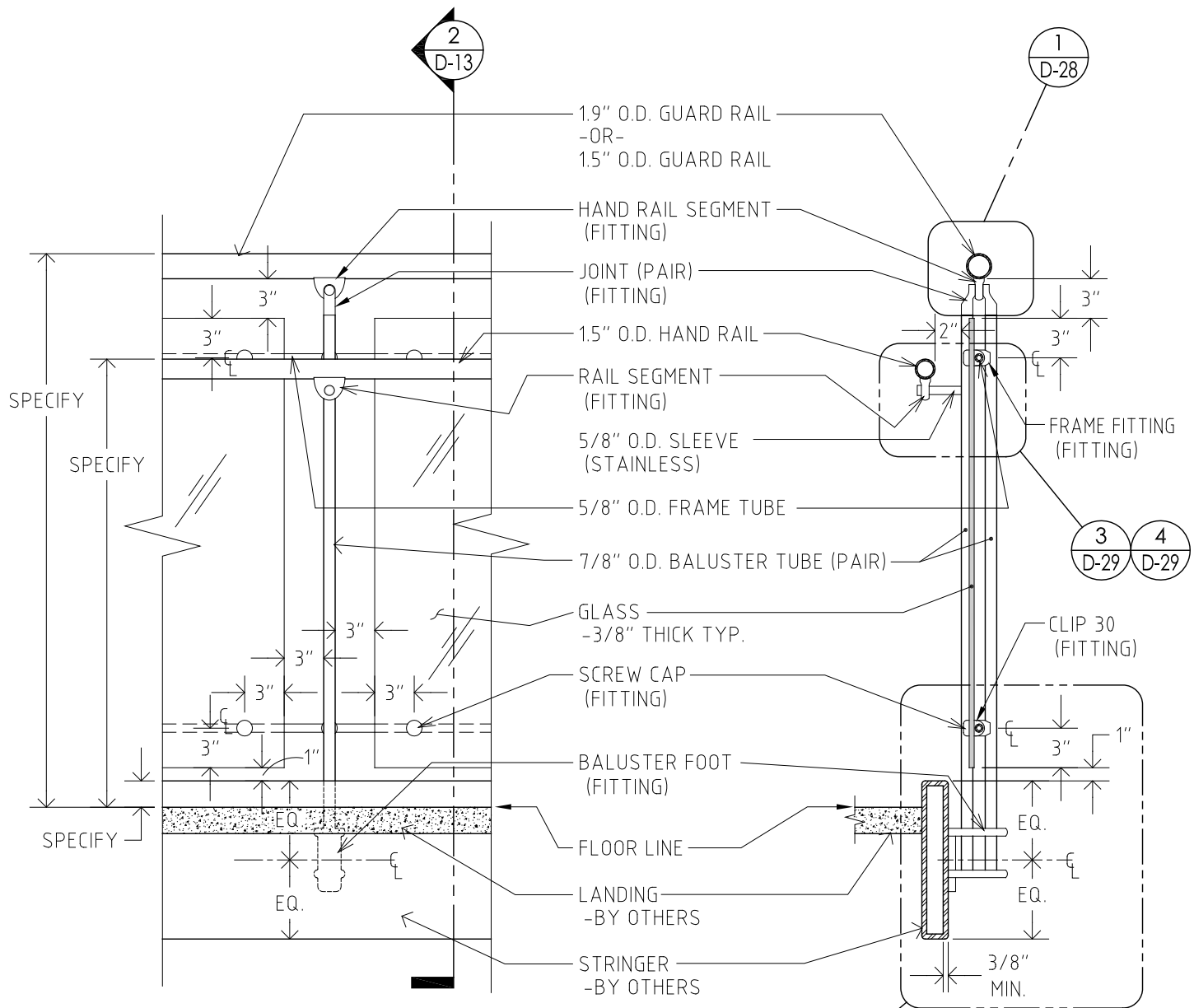
DETAIL SECTION
SCALE: 1" = 1'-0"

NOTES:

HANDRAIL TUBES IN 304 STAINLESS STEEL - 1.9" O.D. APPROVED BY A.D.A. ($1\frac{7}{8}$ " O.D.) OR 1.5" O.D. ($1\frac{1}{2}$ " O.D.) WITH 360-400 GRIT FINISH (CIRCUMFERENCIAL).

BALUSTER TUBE PAIRS IN 304 STAINLESS STEEL - 22mm O.D. ($\frac{7}{8}$ " O.D.) WITH 360-400 GRIT FINISH (CIRCUMFERENCIAL).

	SYSTEM: DOUBLE BALUSTER	DETAIL ELEVATION & SECTION	1" = 1'-0" (8.5 x 11)
		TOP MOUNT RAILINGS	
	REVISION 2016-05	RAILING RUN AT STAIRS	SHEET D-12 of 38



1 DETAIL ELEVATION: SIDE MOUNT AT LEVEL FLOOR
 D-13 SCALE: 1" = 1'-0"

1 DETAIL SECTION
 D-25
 2 DETAIL SECTION
 D-13 SCALE: 1" = 1'-0"

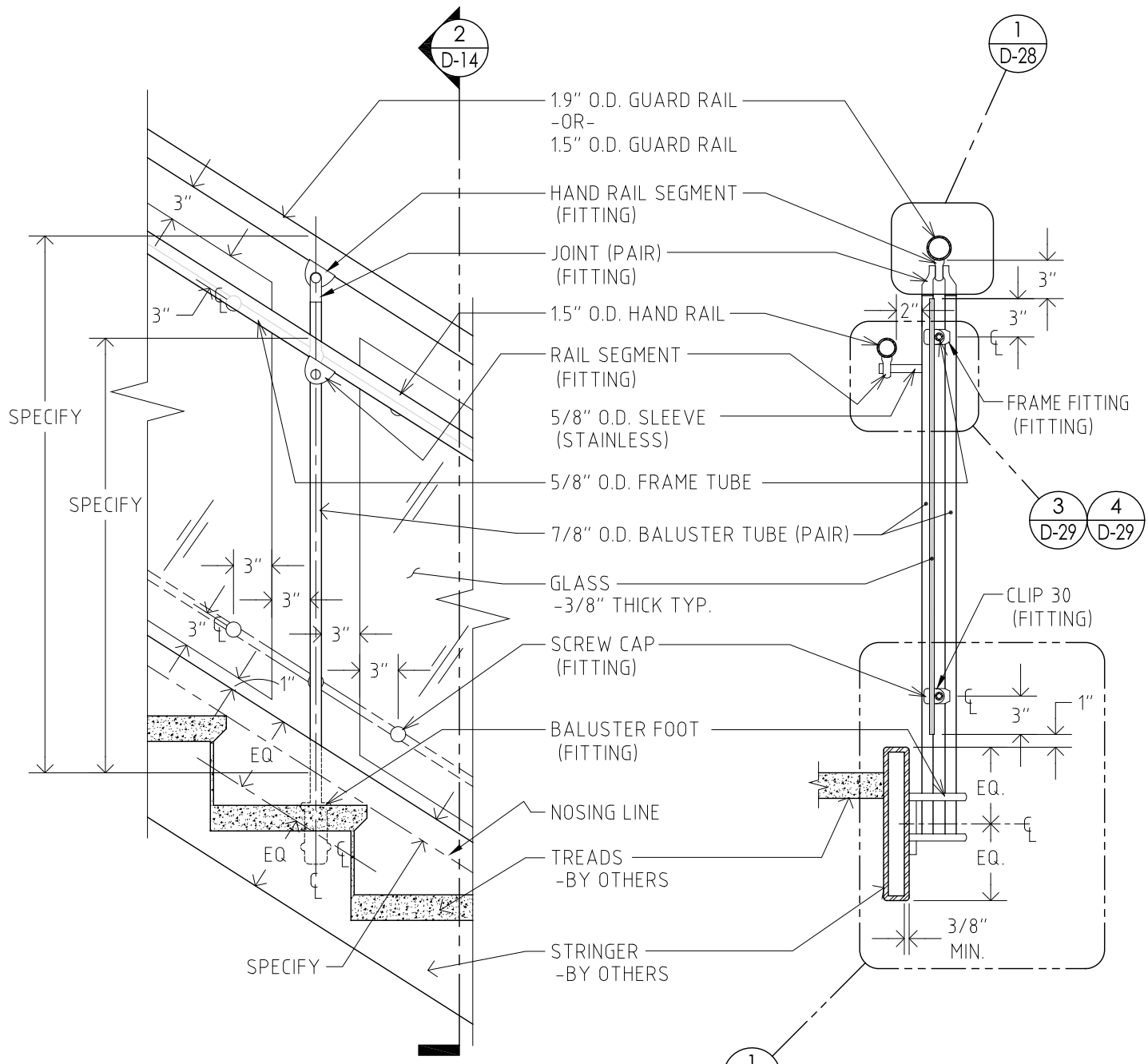
NOTE:
 MAXIMUM LENGTH OF BALUSTER: 54" [1372mm]

NOTES:

HANDRAIL TUBES IN 304 STAINLESS STEEL - 1.9" O.D. APPROVED BY A.D.A. (1 7/8" O.D.) OR 1.5" O.D. (1 1/2") WITH 360-400 GRIT FINISH (CIRCUMFERENCIAL).

BALUSTER TUBE PAIRS IN 304 STAINLESS STEEL - 22mm O.D. (7/8") WITH 360-400 GRIT FINISH (CIRCUMFERENCIAL)

	SYSTEM: DOUBLE BALUSTER	DETAIL ELEVATION & SECTION	1" = 1'-0" (8.5 x 11)
		SIDE MOUNT RAILINGS	
	REVISION 2016-05	RAILING RUN AT LEVEL FLOOR	SHEET D-13 of 38



1
D-14
DETAIL ELEVATION: SIDE MOUNT ON STAIR RUN
SCALE: 1" = 1'-0"

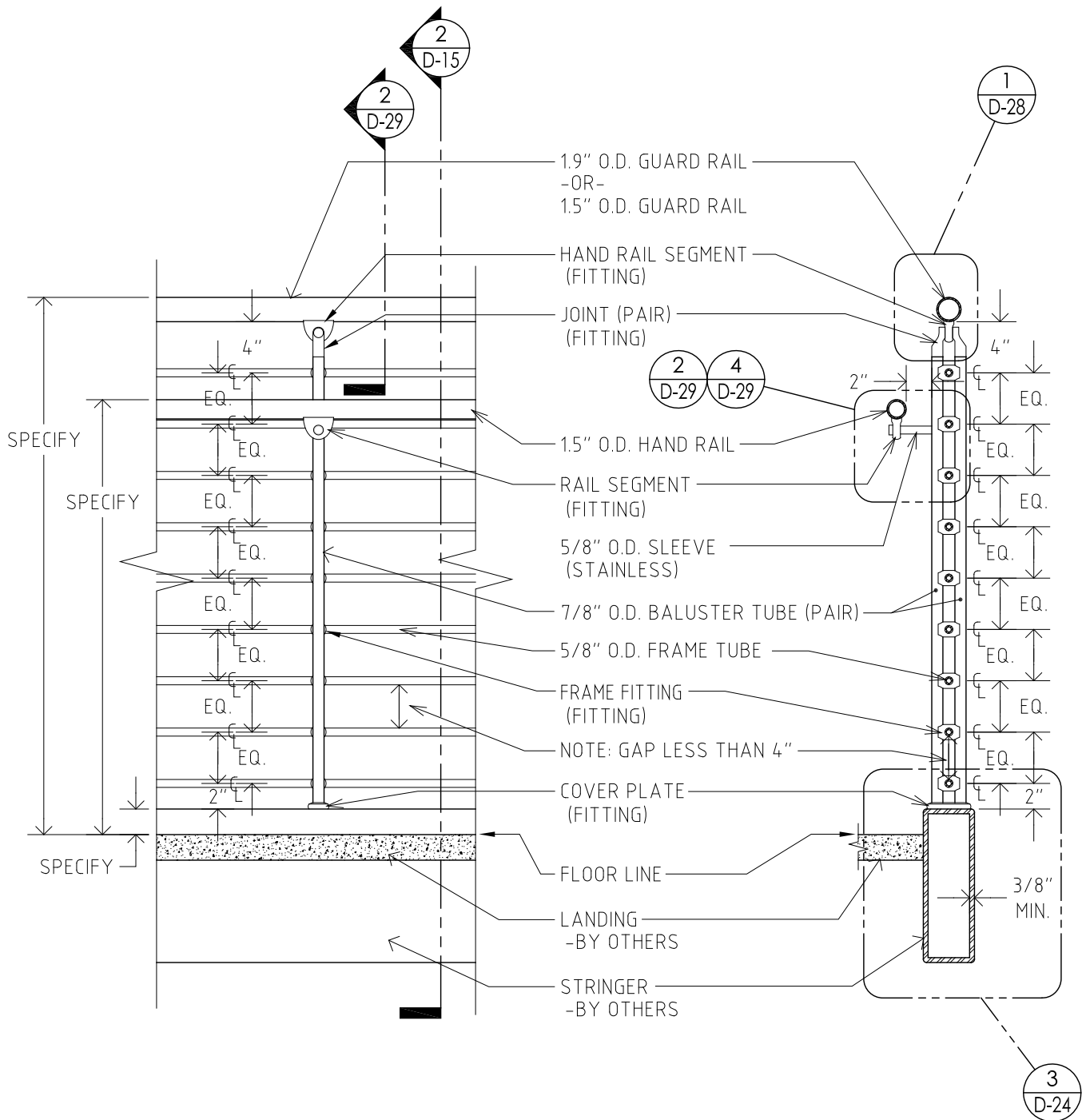
2
D-14
DETAIL SECTION
SCALE: 1" = 1'-0"

NOTE:
MAXIMUM LENGTH OF BALUSTER: 54" [1372mm]

NOTES:

HANDRAIL TUBES IN 304 STAINLESS STEEL - 1.9" O.D. APPROVED BY A.D.A. (1 7/8" O.D.) OR 1.5" O.D. (1 1/2") WITH 360-400 GRIT FINISH (CIRCUMFERENCIAL).
BALUSTER TUBE PAIRS IN 304 STAINLESS STEEL - 22mm O.D. (7/8") WITH 360-400 GRIT FINISH (CIRCUMFERENCIAL)

	SYSTEM: DOUBLE BALUSTER	DETAIL ELEVATION & SECTION	1" = 1'-0" (8.5 x 11)
		SIDE MOUNT RAILINGS	
	REVISION 2016-05	RAILING RUN AT STAIRS	SHEET D-14 of 38



1
D-15

DETAIL ELEVATION: TOP MOUNT AT LEVEL FLOOR
SCALE: 1" = 1'-0"

2
D-15

DETAIL SECTION
SCALE: 1" = 1'-0"

NOTES:

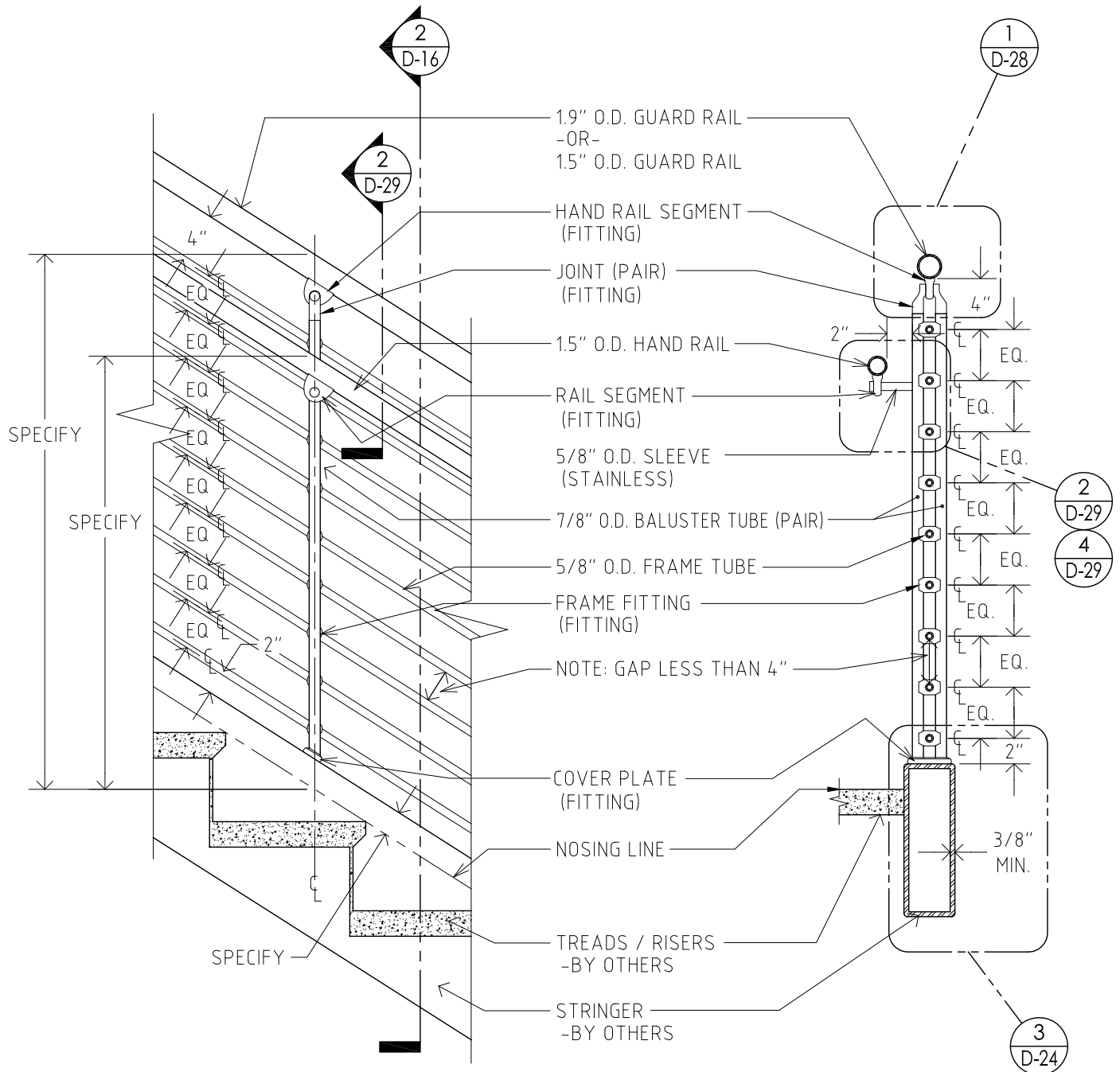
HANDRAIL TUBES IN 304 STAINLESS STEEL - 1.9" O.D. APPROVED BY A.D.A. (1 7/8" O.D.) OR 1.5" O.D. (1 1/2") WITH 360-400 GRIT FINISH (CIRCUMFERENCIAL).

BALUSTER TUBE PAIRS IN 304 STAINLESS STEEL - 22mm O.D. (7/8") WITH 360-400 GRIT FINISH (CIRCUMFERENCIAL).

FRAME TUBES IN HARD DRAWN STAINLESS STEEL - 15mm O.D. (5/8") WITH 360-400 GRIT FINISH (CIRCUMFERENCIAL).



SYSTEM: DOUBLE BALUSTER	DETAIL ELEVATION & SECTION	1" = 1'-0" (8.5 x 11)
	TOP MOUNT RAILINGS - FRAME TUBES	
REVISION 2016-05	RAILING RUN AT LEVEL FLOOR	SHEET D-15 of 38



1
D-16
DETAIL ELEVATION: TOP MOUNT ON STAIR RUN
SCALE: 1" = 1'-0"

2
D-16
DETAIL SECTION
SCALE: 1" = 1'-0"

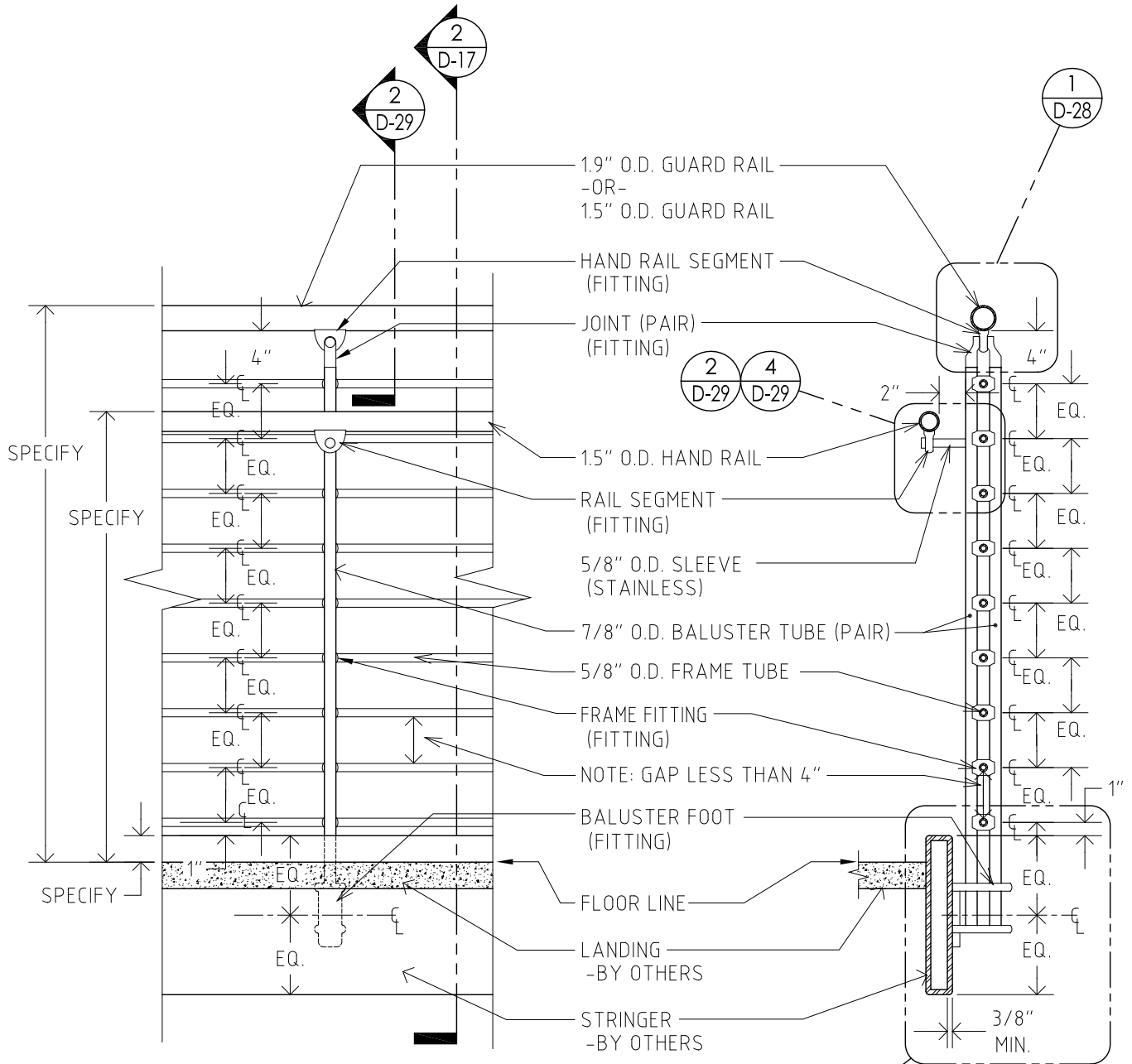
NOTES:

HANDRAIL TUBES IN 304 STAINLESS STEEL - 1.9" O.D. APPROVED BY A.D.A. ($1\frac{7}{8}$ " O.D.) OR 1.5" O.D. ($1\frac{1}{2}$ " O.D.) WITH 360-400 GRIT FINISH (CIRCUMFERENCIAL).

BALUSTER TUBE PAIRS IN 304 STAINLESS STEEL - 22mm O.D. ($\frac{7}{8}$ " O.D.) WITH 360-400 GRIT FINISH (CIRCUMFERENCIAL).

FRAME TUBES IN HARD DRAWN STAINLESS STEEL - 15mm O.D. ($\frac{5}{8}$ " O.D.) WITH 360-400 GRIT FINISH (CIRCUMFERENCIAL).

	SYSTEM: DOUBLE BALUSTER	DETAIL ELEVATION & SECTION	1" = 1'-0" (8.5 x 11)
		TOP MOUNT RAILINGS - FRAME TUBES	
	REVISION 2016-05	RAILING RUN AT STAIRS	SHEET D-16 of 38



1 DETAIL ELEVATION: SIDE MOUNT AT LEVEL FLOOR
SCALE: 1" = 1'-0"

1 DETAIL SECTION
SCALE: 1" = 1'-0"

NOTE:
MAXIMUM LENGTH OF BALUSTER: 54" [1372mm]

NOTES:

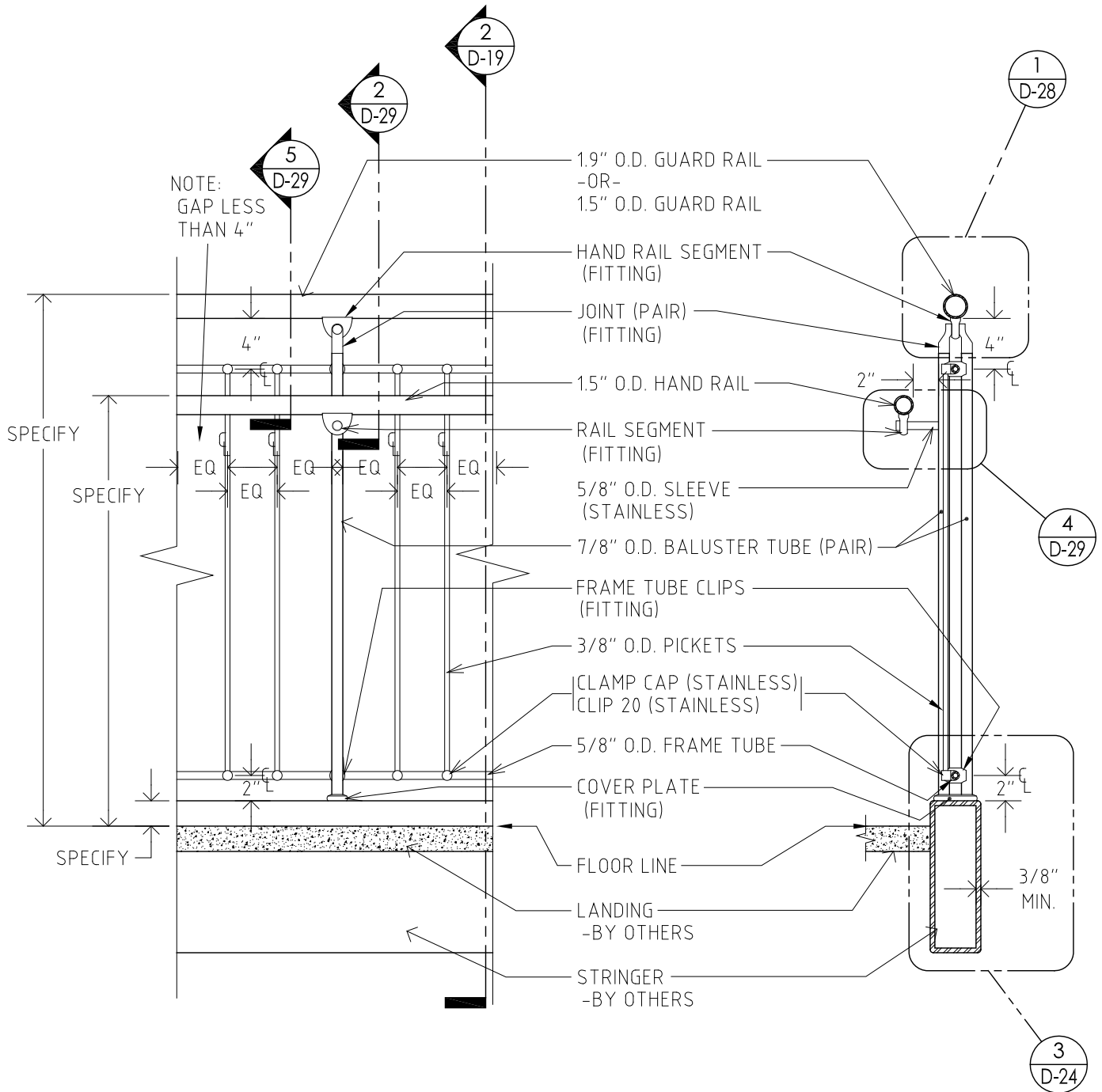
HANDRAIL TUBES IN 304 STAINLESS STEEL - 1.9" O.D. APPROVED BY A.D.A. (1 7/8" O.D.) OR 1.5" O.D. (1 1/2") WITH 360-400 GRIT FINISH (CIRCUMFERENCIAL).

BALUSTER TUBE PAIRS IN 304 STAINLESS STEEL - 22mm O.D. (7/8") WITH 360-400 GRIT FINISH (CIRCUMFERENCIAL).

FRAME TUBES IN HARD DRAWN STAINLESS STEEL - 15mm O.D. (5/8") WITH 360-400 GRIT FINISH (CIRCUMFERENCIAL).



SYSTEM: DOUBLE BALUSTER	DETAIL ELEVATION & SECTION	1" = 1'-0" (8.5 x 11)
	SIDE MOUNT RAILINGS - FRAME TUBES	
REVISION 2016-05	RAILING RUN AT LEVEL FLOOR	SHEET D-17 of 38



1
D-19

DETAIL ELEVATION: TOP MOUNT AT LEVEL FLOOR
SCALE: 1" = 1'-0"

2
D-19

DETAIL SECTION
SCALE: 1" = 1'-0"

NOTES:

HANDRAIL TUBES IN 304 STAINLESS STEEL - 1.9" O.D. APPROVED BY A.D.A. (1 7/8" O.D.) OR 1.5" O.D. (1 1/2") WITH 360-400 GRIT FINISH (CIRCUMFERENCIAL).

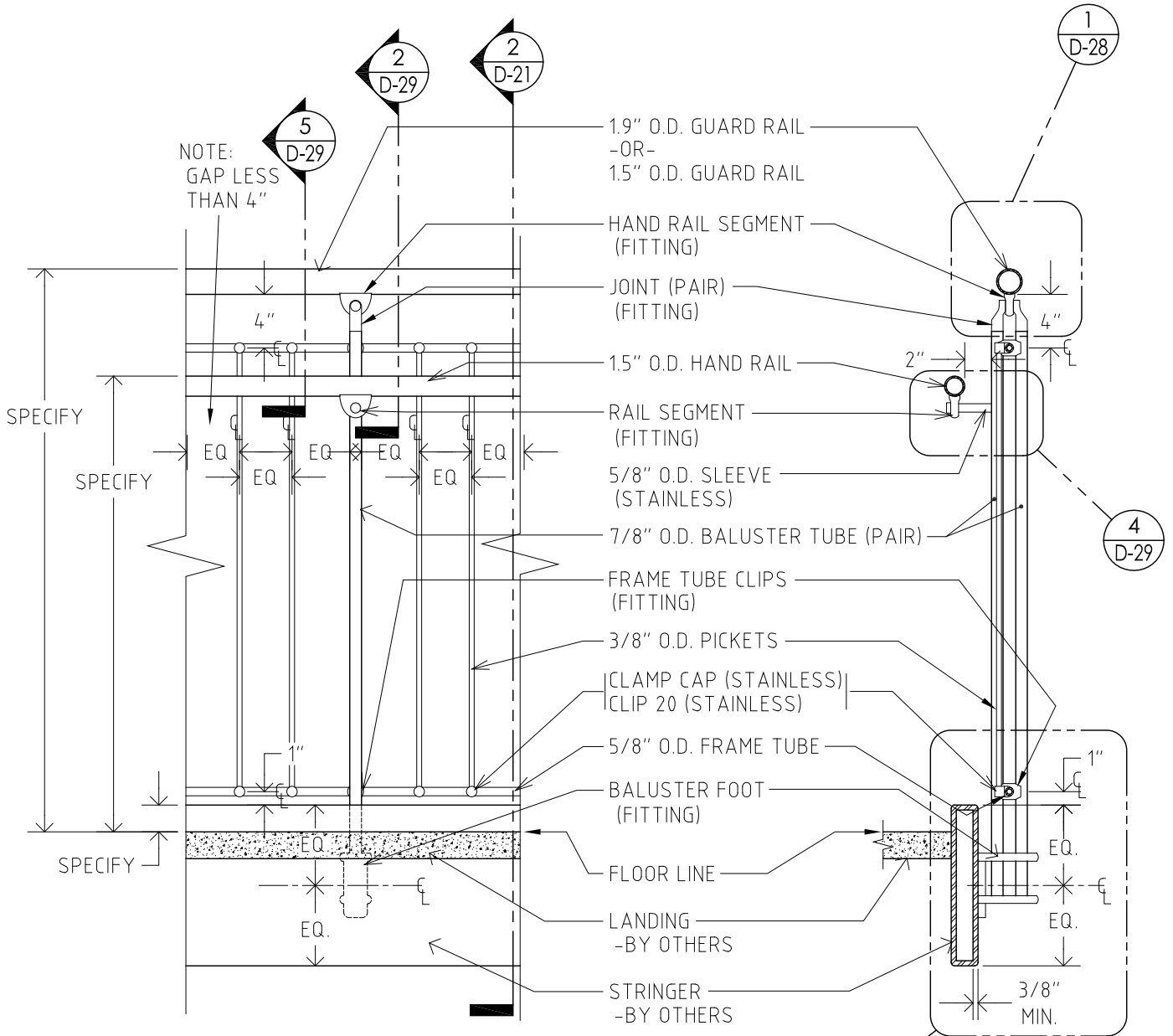
BALUSTER TUBE PAIRS IN 304 STAINLESS STEEL - 22mm O.D. (7/8") WITH 360-400 GRIT FINISH (CIRCUMFERENCIAL).

FRAME TUBES IN HARD DRAWN STAINLESS STEEL - 15mm O.D. (5/8") WITH 360-400 GRIT FINISH (CIRCUMFERENCIAL).

PICKET TUBES IN 304 STAINLESS STEEL - 10mm O.D. (3/8") WITH 360-400 GRIT FINISH (CIRCUMFERENCIAL).



SYSTEM: DOUBLE BALUSTER	DETAIL ELEVATION & SECTION	1" = 1'-0" (8.5 x 11)
	TOP MOUNT RAILINGS - PICKETS	
REVISION 2016-05	RAILING RUN AT LEVEL FLOOR	SHEET D-19 of 38



1
D-21

DETAIL ELEVATION: SIDE MOUNT AT LEVEL FLOOR
SCALE: 1" = 1'-0"

1
D-25

2
D-21

DETAIL SECTION
SCALE: 1" = 1'-0"

NOTE:
MAXIMUM LENGTH OF BALUSTER: 54" [1372mm]

NOTES:

HANDRAIL TUBES IN 304 STAINLESS STEEL - 1.9" O.D. APPROVED BY A.D.A. (1 7/8" O.D.) OR 1.5" O.D. (1 1/2") WITH 360-400 GRIT FINISH (CIRCUMFERENCIAL).

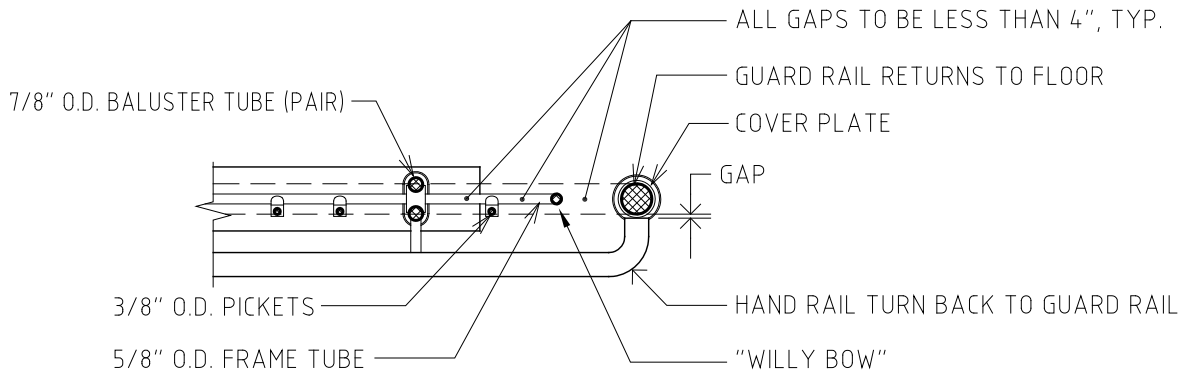
BALUSTER TUBE PAIRS IN 304 STAINLESS STEEL - 22mm O.D. (7/8") WITH 360-400 GRIT FINISH (CIRCUMFERENCIAL).

FRAME TUBES IN HARD DRAWN STAINLESS STEEL - 15mm O.D. (5/8") WITH 360-400 GRIT FINISH (CIRCUMFERENCIAL).

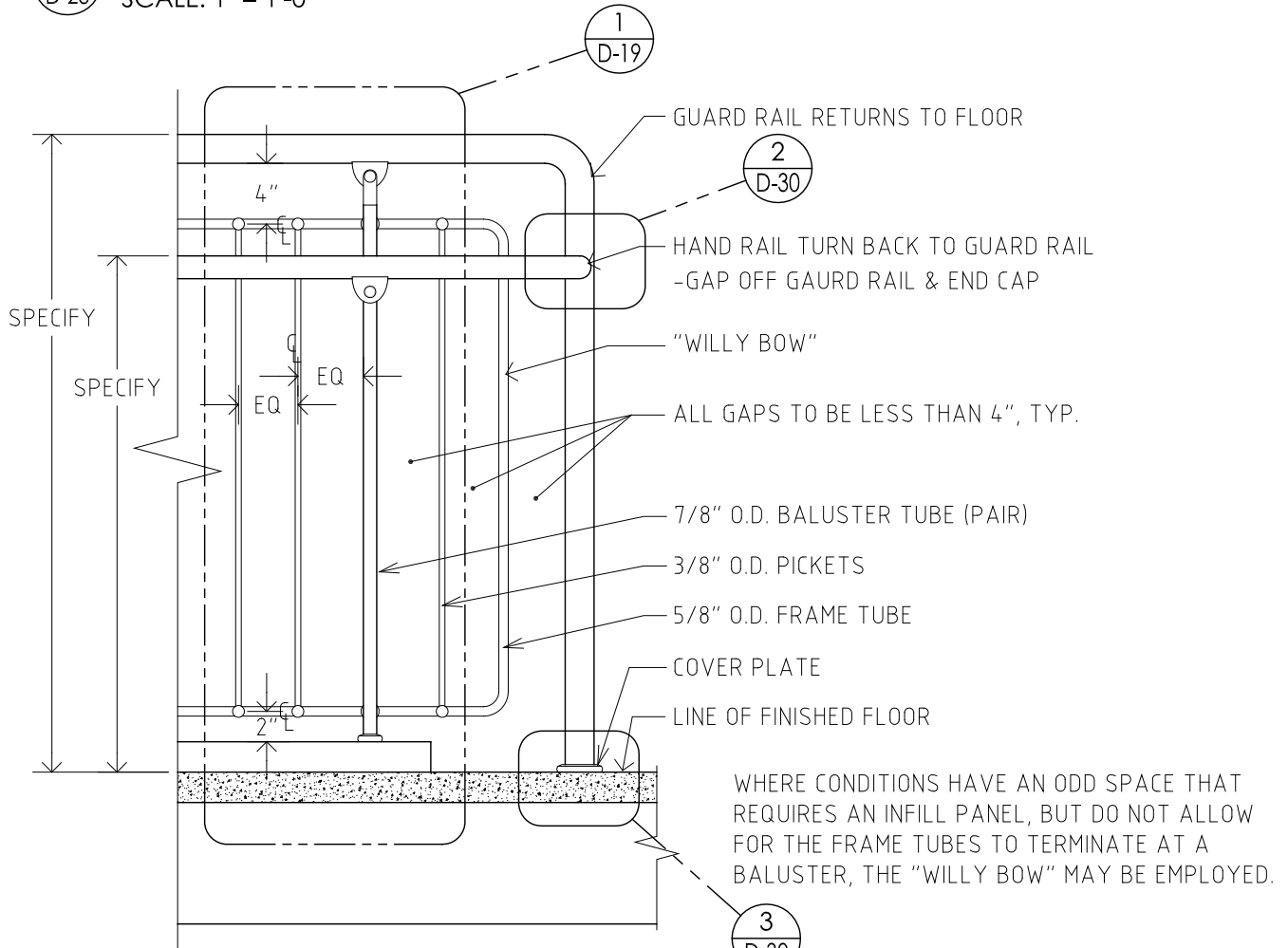
PICKET TUBES IN 304 STAINLESS STEEL - 10mm O.D. (3/8") WITH 360-400 GRIT FINISH (CIRCUMFERENCIAL).



SYSTEM: DOUBLE BALUSTER	DETAIL ELEVATION & SECTION	1" = 1'-0" (8.5 x 11)
	SIDE MOUNT RAILINGS - PICKETS	
REVISION 2016-05	RAILING RUN AT LEVEL FLOOR	SHEET D-21 of 38



1
D-23
DETAIL PLAN: "WILLY BOW"
SCALE: 1" = 1'-0"



2
D-23
DETAIL ELEVATION: "WILLY BOW"
SCALE: 1" = 1'-0"

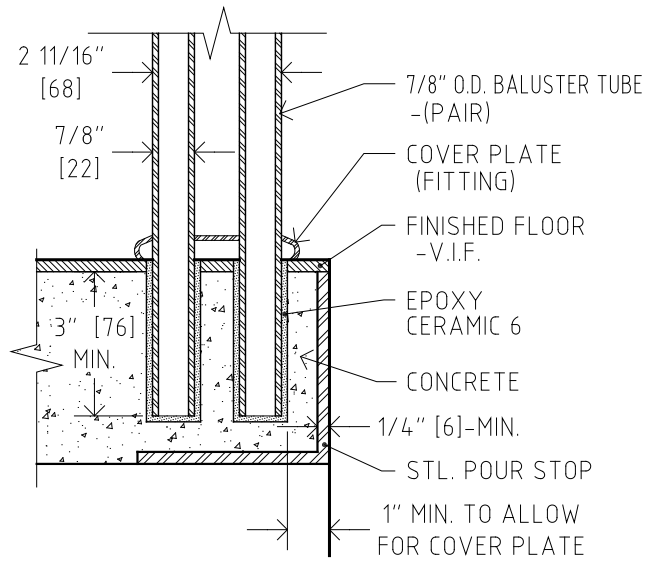
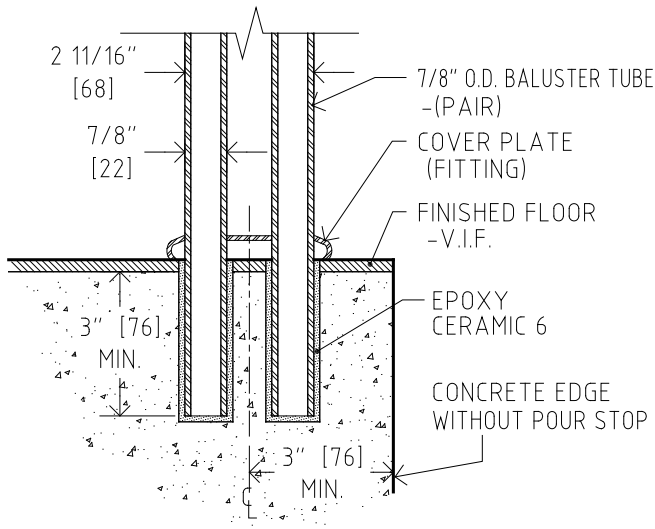
NOTES:

HANDRAIL TUBES IN 304 STAINLESS STEEL - 1.9" O.D. APPROVED BY A.D.A. (1 7/8" O.D.) OR 1.5" O.D. (1 1/2") WITH 360-400 GRIT FINISH (CIRCUMFERENCIAL).

BALUSTER TUBE PAIRS IN 304 STAINLESS STEEL - 22mm O.D. (7/8") WITH 360-400 GRIT FINISH (CIRCUMFERENCIAL).

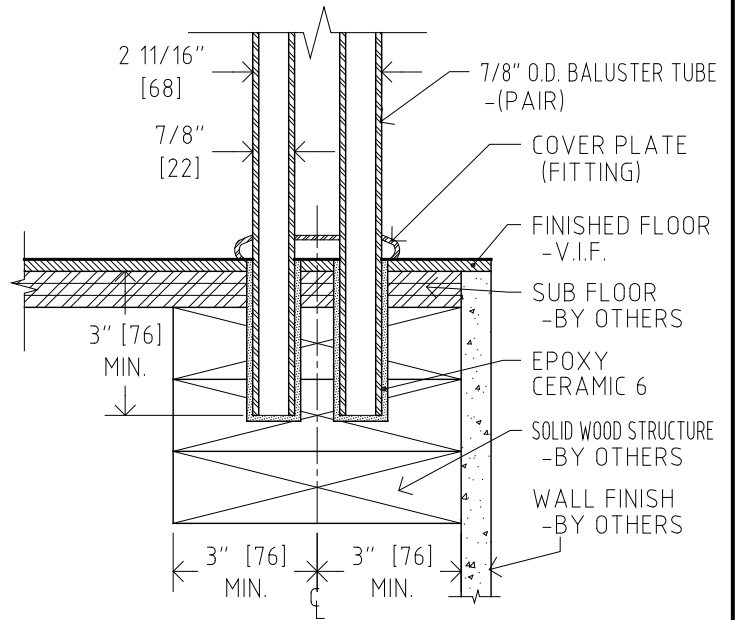
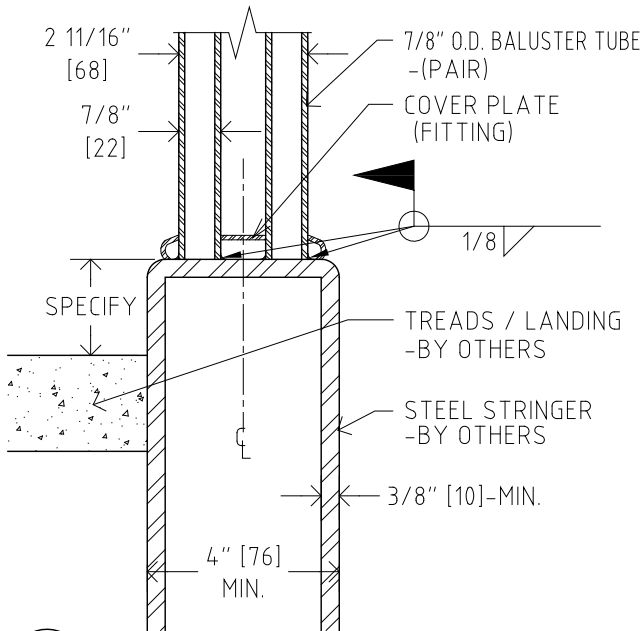
FRAME TUBES IN HARD DRAWN STAINLESS STEEL - 15mm O.D. (5/8") WITH 360-400 GRIT FINISH (CIRCUMFERENCIAL).

PICKET TUBES IN 304 STAINLESS STEEL - 10mm O.D. (3/8") WITH 360-400 GRIT FINISH (CIRCUMFERENCIAL).



1 DETAIL: BALUSTER AT CONCRETE EDGE
D-24 SCALE: 3" = 1'-0"

2 DETAIL: BALUSTER, CONCRETE w/ POUR STOP
D-24 SCALE: 3" = 1'-0"



3 DETAIL: BALUSTER ON STEEL STRINGER
D-24 SCALE: 3" = 1'-0"

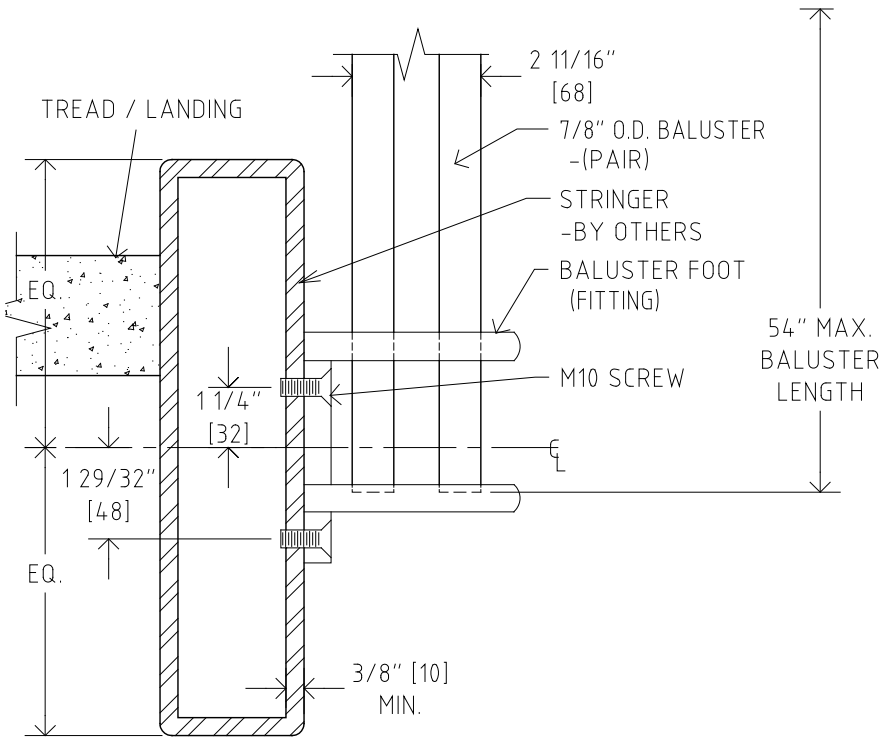
4 DETAIL: BALUSTER IN WOOD STRUCTURE
D-24 SCALE: 3" = 1'-0"

NOTES:

FITTINGS IN 304 STAINLESS STEEL.
ARCHITECT SPECIFY FINISH: POLISHED
OR SATIN (SANDBLASTED).



SYSTEM: DOUBLE BALUSTER	BALUSTER ANCHORAGE DETAILS	3" = 1'-0" (8.5 x 11)
	TOP MOUNT RAILINGS	
REVISION 2016-05		SHEET D-24 of 38



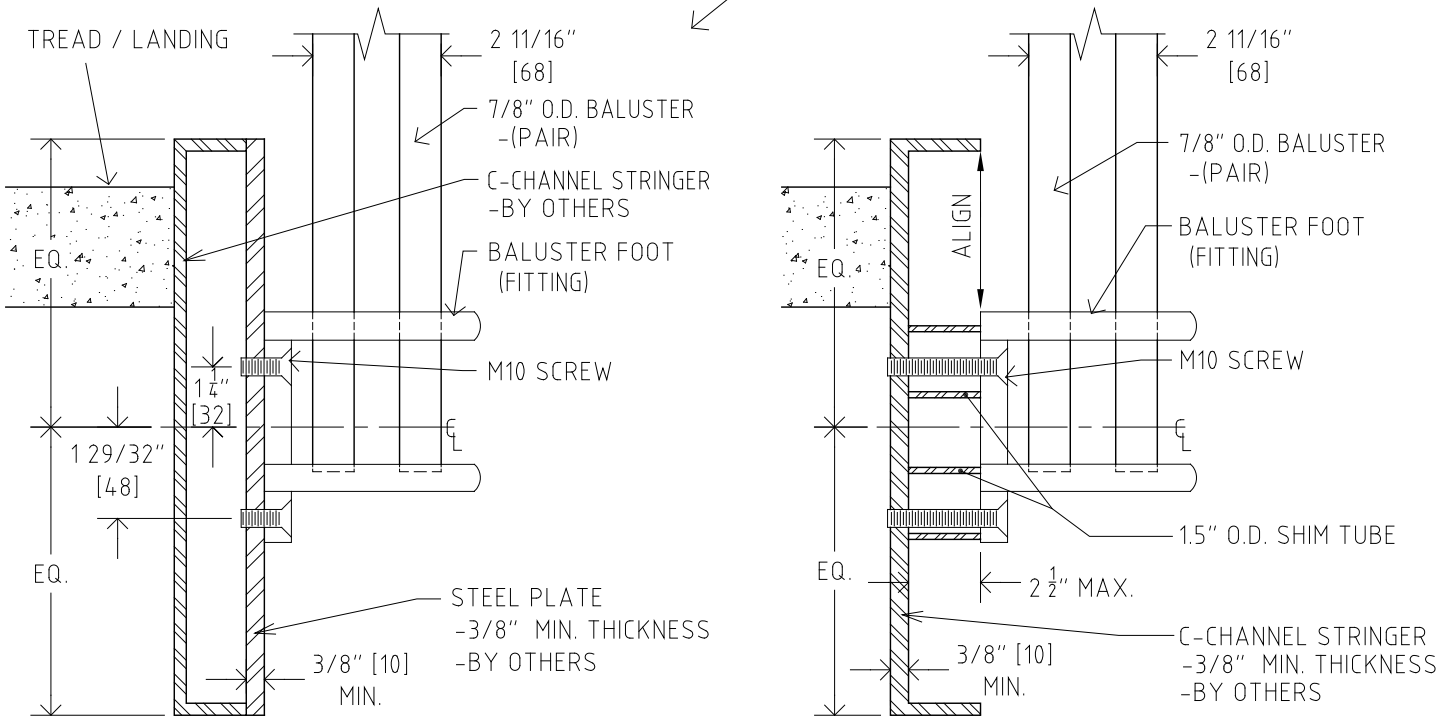
NOTES:

FITTINGS IN 304 STAINLESS STEEL.
ARCHITECT SPECIFY FINISH: POLISHED
OR SATIN (SANDBLASTED).

NOTE:

WHEN AN OPEN CHANNEL IS THE
STRINGER, A PLATE (BY OTHERS)
CAN BE USED FOR SIDE MOUNTING
(MINIMUM THICKNESS OF PLATE IS $\frac{3}{8}$ "),
OR IN LIEU OF PLATE, SHIM TUBES
CAN BE USED.

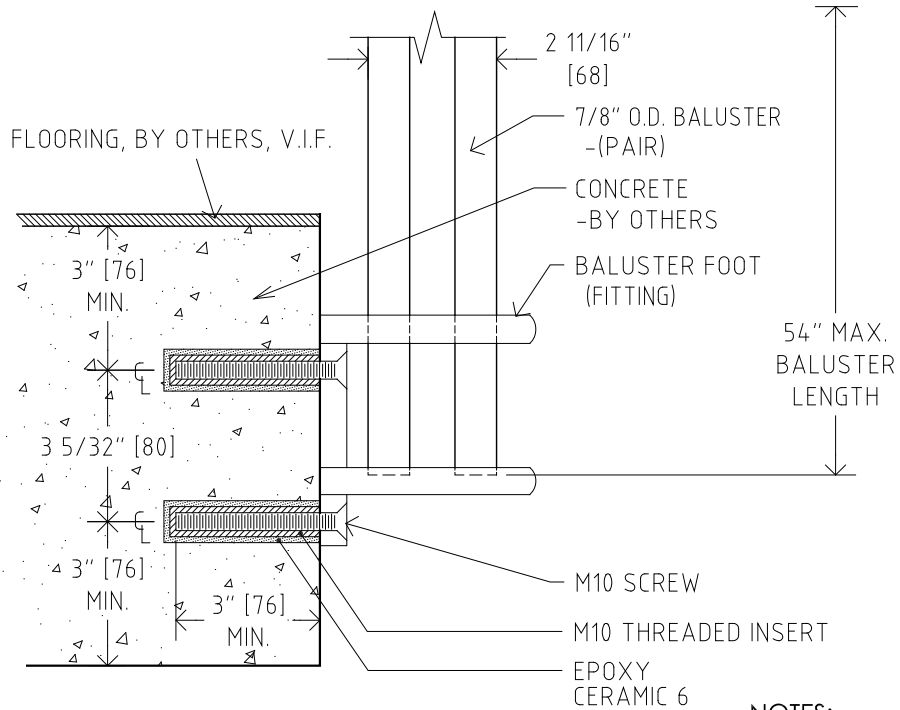
1 DETAIL SECTION: SIDE MOUNT AT STEEL TUBE STRINGER
D-25 SCALE: 3" = 1'-0"



2 DETAIL SECTION: SIDE MOUNT AT STEEL CHANNEL STRINGER
D-25 SCALE: 3" = 1'-0"



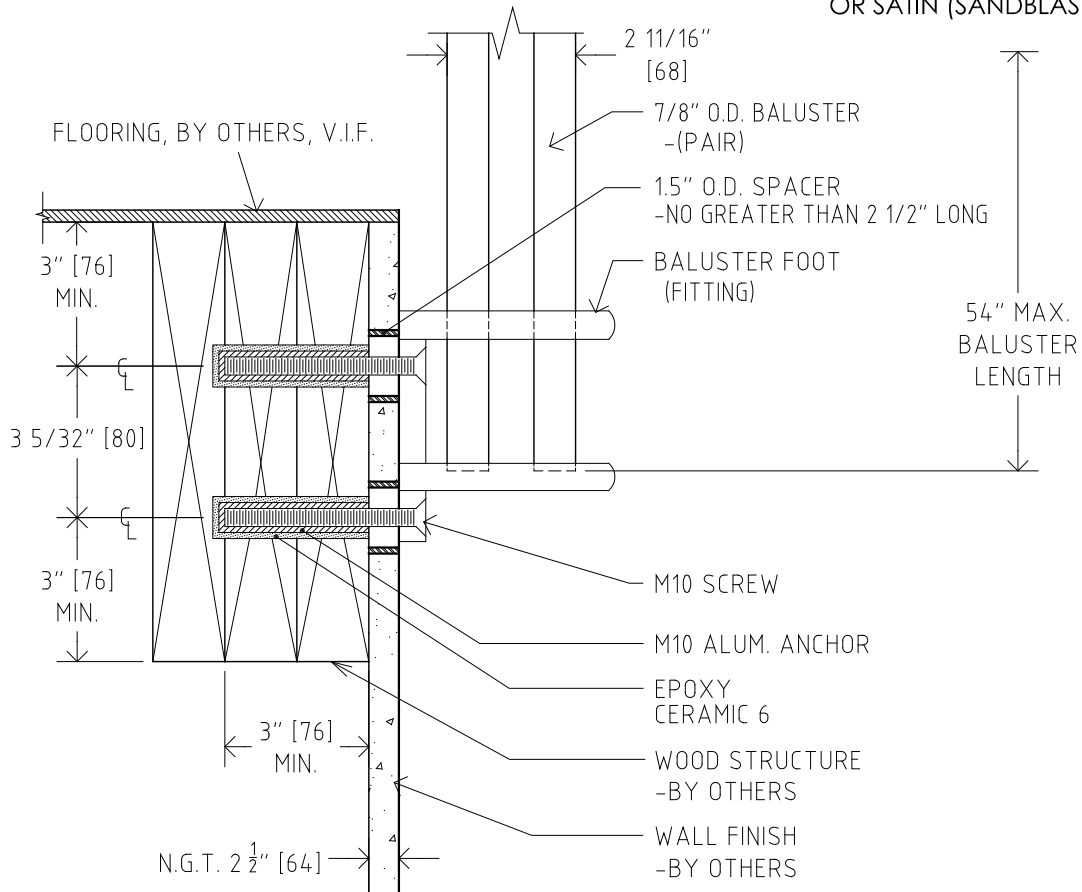
SYSTEM: DOUBLE BALUSTER	BALUSTER ANCHORAGE DETAILS	3" = 1'-0" (8.5 x 11)
	SIDE MOUNT RAILINGS	
REVISION 2016-05	STEEL	SHEET D-25 of 38



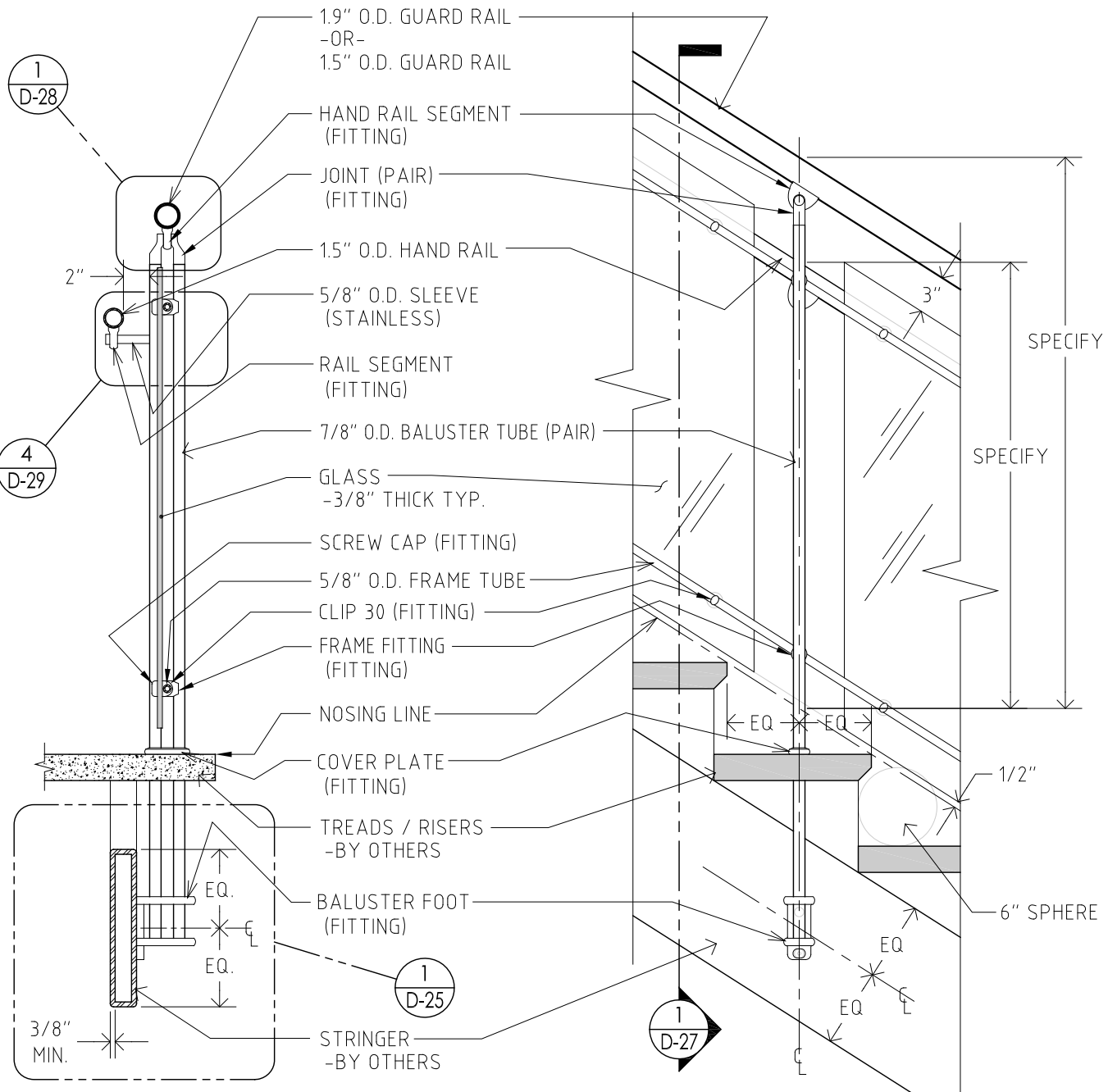
1 DETAIL SECTION: SIDE MOUNT INTO CONCRETE
 D-26 SCALE: 3" = 1'-0"

NOTES:

FITTINGS IN 304 STAINLESS STEEL.
 ARCHITECT SPECIFY FINISH: POLISHED
 OR SATIN (SANDBLASTED).



2 DETAIL SECTION: SIDE MOUNT INTO WOOD STRUCTURE
 D-26 SCALE: 3" = 1'-0"



1
D-27
DETAIL SECTION
SCALE: 1" = 1'-0"

2
D-27
DETAIL ELEVATION: SIDE MOUNT ON STAIR RUN
SCALE: 1" = 1'-0"

NOTE:
MAXIMUM LENGTH OF BALUSTER: 54" [1372mm]

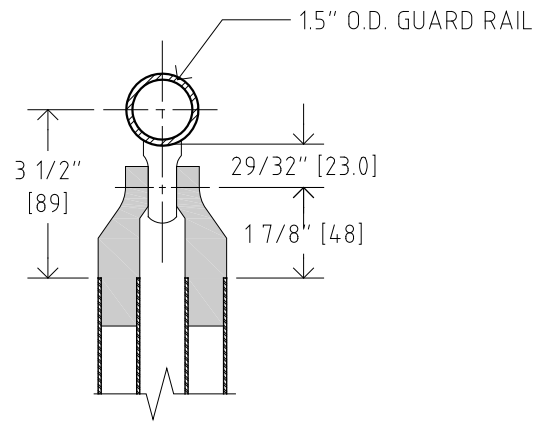
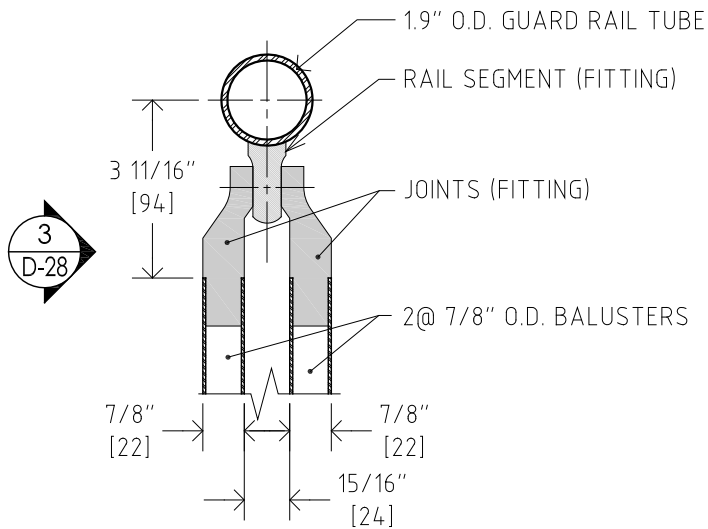
NOTES:

HANDRAIL TUBES IN 304 STAINLESS STEEL - 1.9" O.D. APPROVED BY A.D.A. (1 7/8" O.D.) OR 1.5" O.D. (1 1/2") WITH 360-400 GRIT FINISH (CIRCUMFERENCIAL).

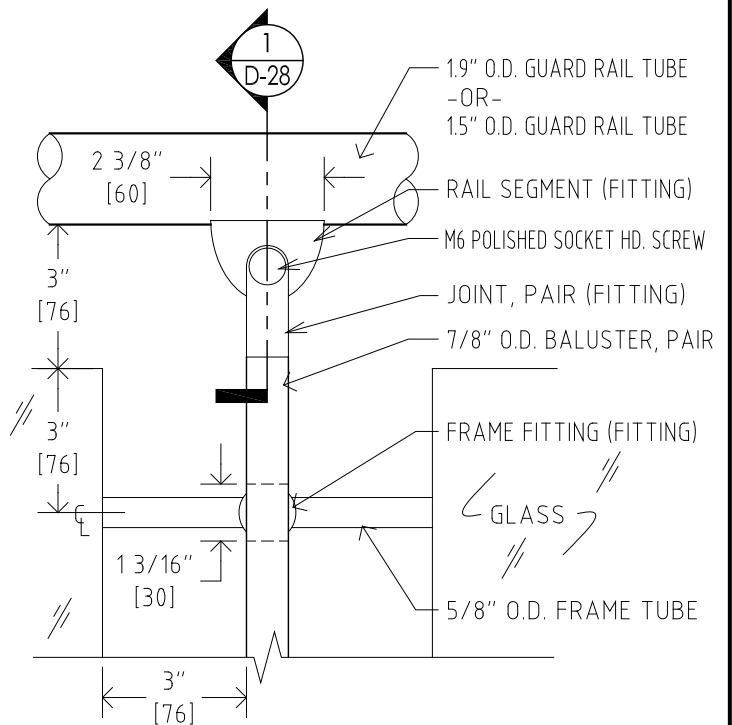
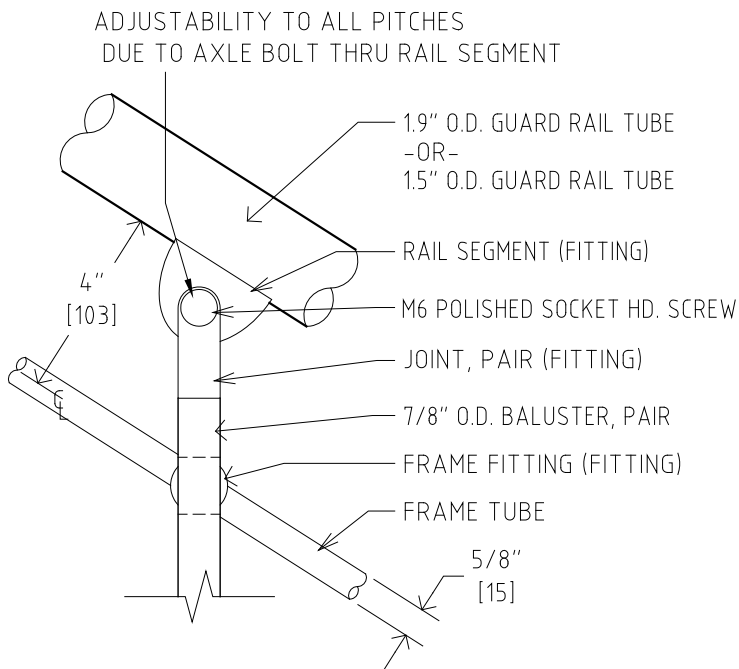
BALUSTER TUBE PAIRS IN 304 STAINLESS STEEL - 22mm O.D. (7/8") WITH 360-400 GRIT FINISH (CIRCUMFERENCIAL)



SYSTEM: DOUBLE BALUSTER	BALUSTER ANCHORAGE DETAILS	1" = 1'-0" (8.5 x 11)
	BALUSTER AT CANTILEVER TREAD	
REVISION 2016-05	STEEL	SHEET D-27 of 38



1
D-28
DETAIL SECTION: GUARD RAIL FITTINGS
SCALE: 3" = 1'-0"

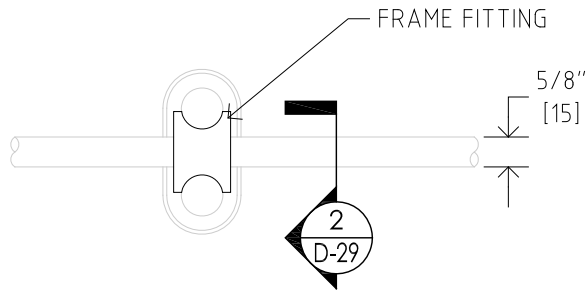


2
D-28
DETAIL ELEVATION: GUARD RAIL & FRAME TUBE
SCALE: 3" = 1'-0"

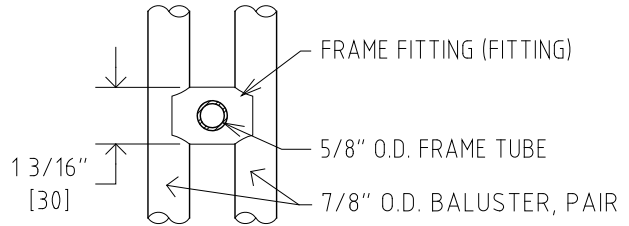
3
D-28
DETAIL ELEVATION: GUARD RAIL AND GLASS
SCALE: 3" = 1'-0"

NOTES:

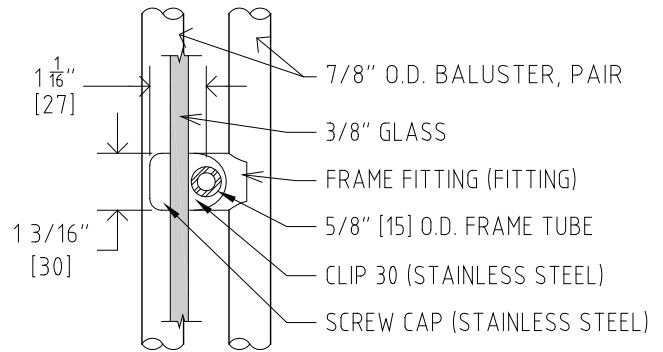
FITTINGS IN 304 STAINLESS STEEL. ARCHITECT SPECIFY FINISH: POLISHED OR SATIN (SANDBLASTED).
INFILL PANELS TO BE 3/8" THK. CLEAR TEMPERED GLASS, ALL EDGES POLISHED. TEMPERED GLASS LOGO
WILL APPEAR. CUSTOM DESIGNED GLASS MAY BE SPECIFIED. OTHER PANEL OPTIONS INCLUDE
PERFORATED METAL, WIRE MESH & RESIN PANELS.



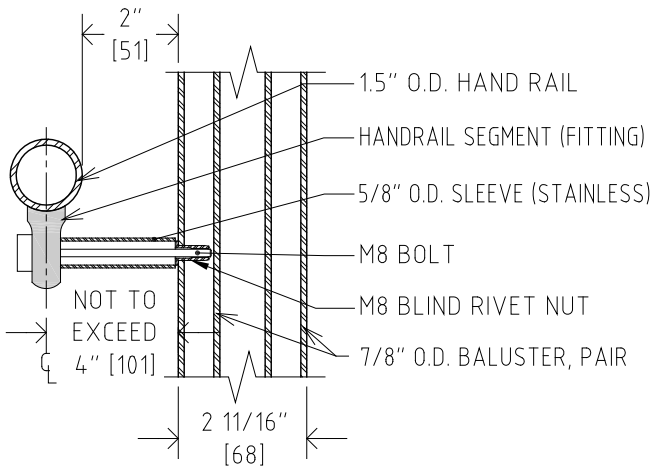
1 TOP VIEW: FRAME FITTINGS
D-29 SCALE: 3" = 1'-0"



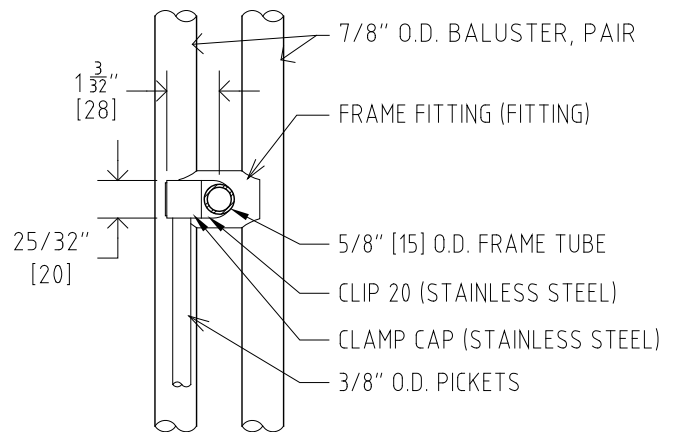
2 DETAIL SECTION: FRAME FITTINGS
D-29 SCALE: 3" = 1'-0"



3 DETAIL SECTION: GLASS
D-29 SCALE: 3" = 1'-0"



4 DETAIL SECTION: 2nd HAND RAIL
D-29 SCALE: 3" = 1'-0"



5 DETAIL SECTION: PICKETS
D-29 SCALE: 3" = 1'-0"

NOTES:

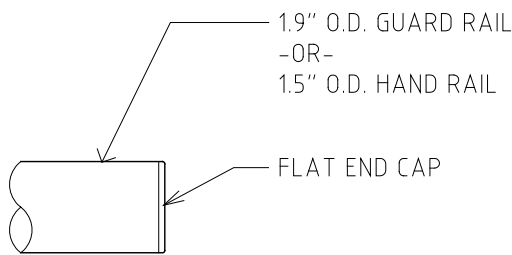
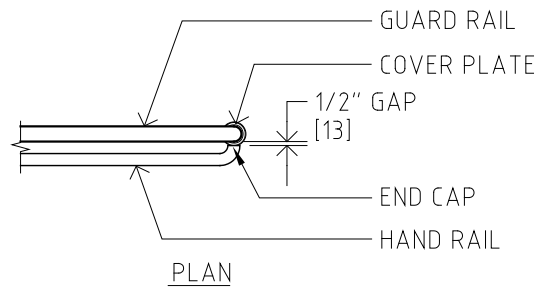
FITTINGS IN 304 STAINLESS STEEL. ARCHITECT SPECIFY FINISH: POLISHED OR SATIN (SANDBLASTED). INFILL PANELS TO BE 3/8" THK. CLEAR TEMPERED GLASS, ALL EDGES POLISHED. TEMPERED GLASS LOGO WILL APPEAR. CUSTOM DESIGNED GLASS MAY BE SPECIFIED. OTHER PANEL OPTIONS INCLUDE PERFORATED METAL, WIRE MESH & RESIN PANELS.



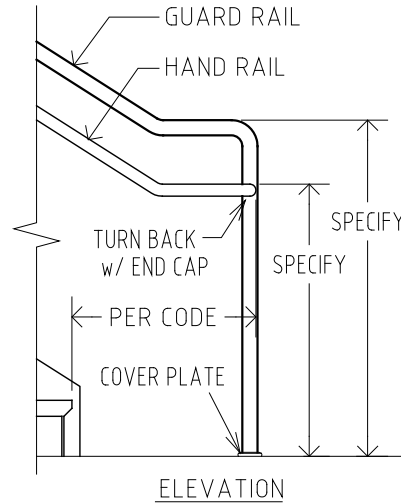
SYSTEM: DOUBLE BALUSTER	FITTING DETAILS	3" = 1'-0" (8.5 x 11)
	SECOND HAND RAIL	
REVISION 2016-05	GLASS FITTINGS	SHEET D-29 of 38

NOTES:

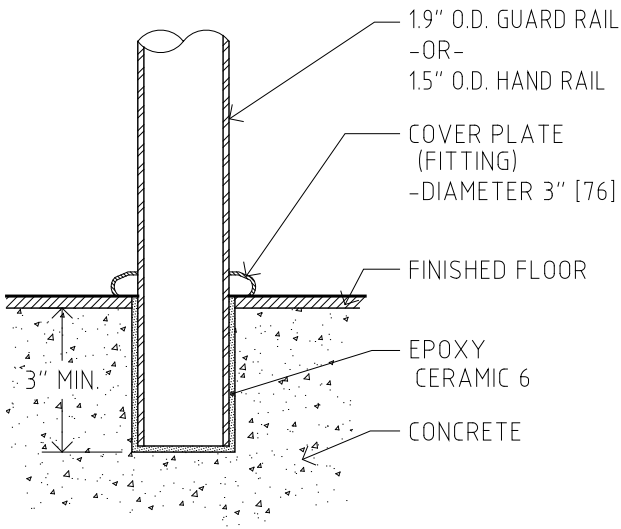
FITTINGS IN 304 STAINLESS STEEL.
 ARCHITECT SPECIFY FINISH: POLISHED
 OR SATIN (SANDBLASTED).



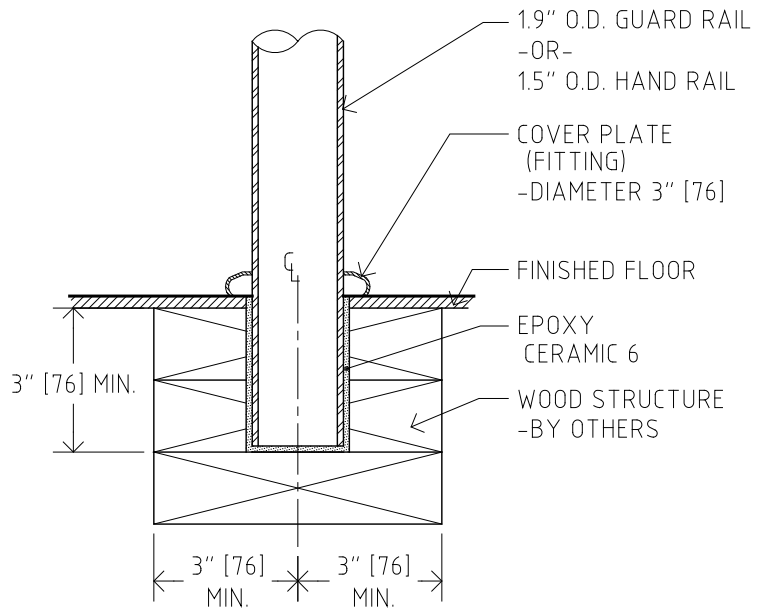
1 DETAIL: RAILING END CAP
 D-30 SCALE: 3" = 1'-0"



2 ALTERNATE HAND RAIL TERMINATION
 D-30 SCALE: 1/2" = 1'-0"



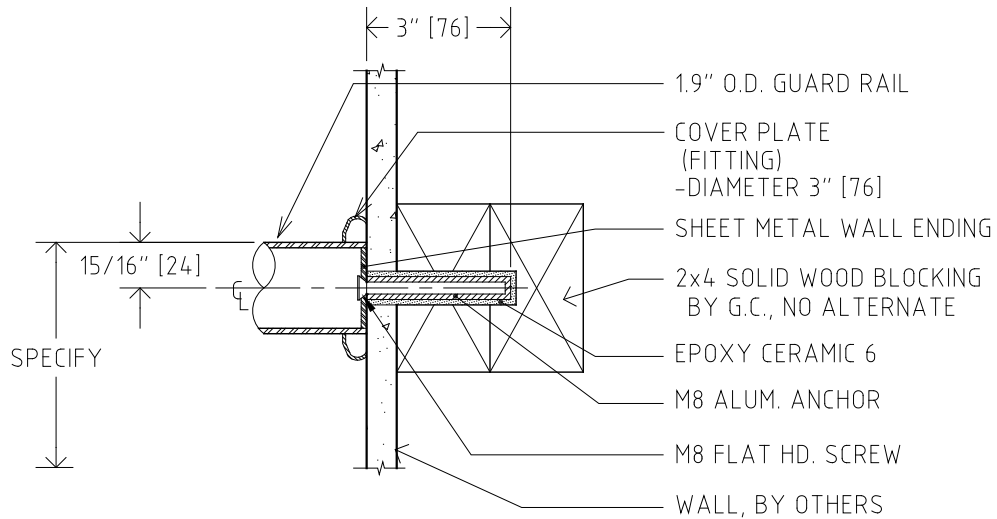
3 DETAIL: RAILING STARTER IN CONCRETE
 D-30 SCALE: 3" = 1'-0"



4 DETAIL: RAILING STARTER IN WOOD
 D-30 SCALE: 3" = 1'-0"

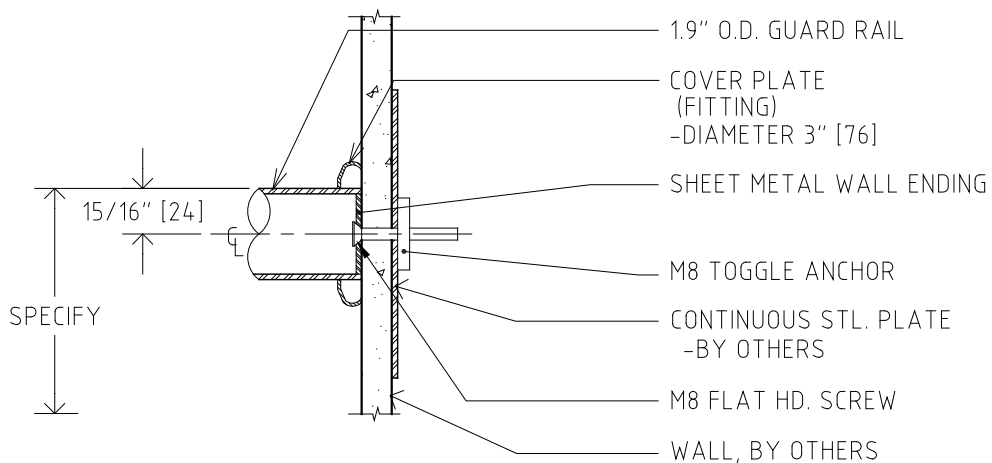


SYSTEM: DOUBLE BALUSTER	FITTING DETAILS	SCALE: as noted
	END CAPS	
REVISION 2016-05	RAIL STARTERS	SHEET D-30 of 38



NOTE:
THIS TECHNIQUE ALSO APPLICABLE TO
BLOCK, BRICK AND CONCRETE WALLS.

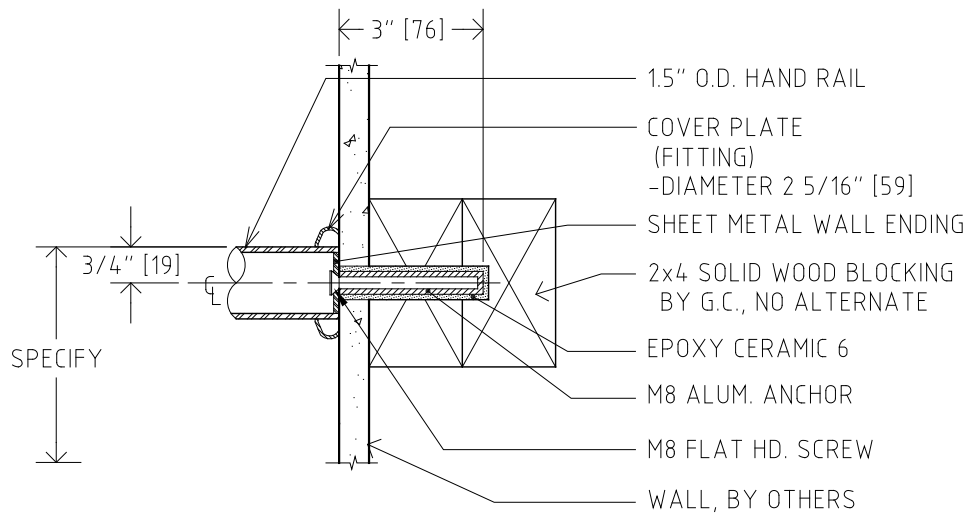
1 DETAIL SECTION: GUARD RAIL TERMINATION, STANDARD
D-31 SCALE: 3" = 1'-0"



2 DETAIL SECTION: GUARD RAIL TERMINATION, ALTERNATE
D-31 SCALE: 3" = 1'-0"

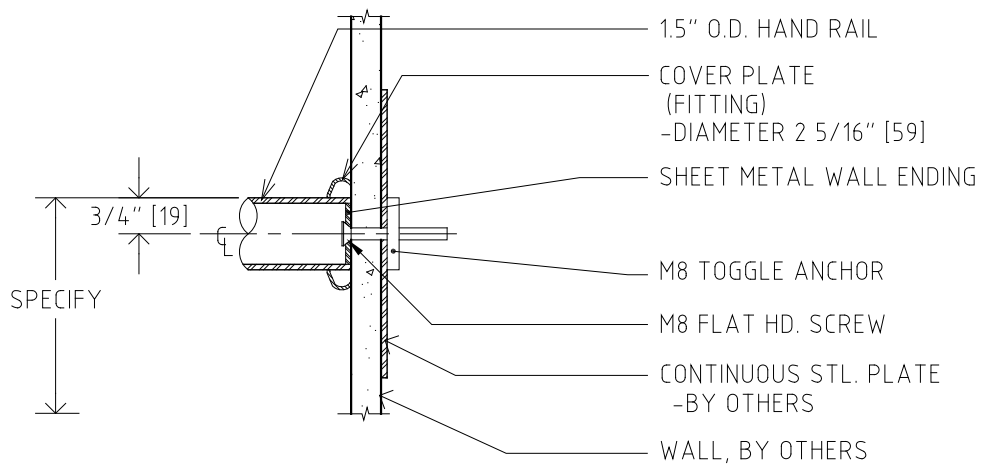
NOTES:

FITTINGS IN 304 STAINLESS STEEL.
ARCHITECT SPECIFY FINISH: POLISHED
OR SATIN (SANDBLASTED).



NOTE:
THIS TECHNIQUE ALSO APPLICABLE TO
BLOCK, BRICK AND CONCRETE WALLS.

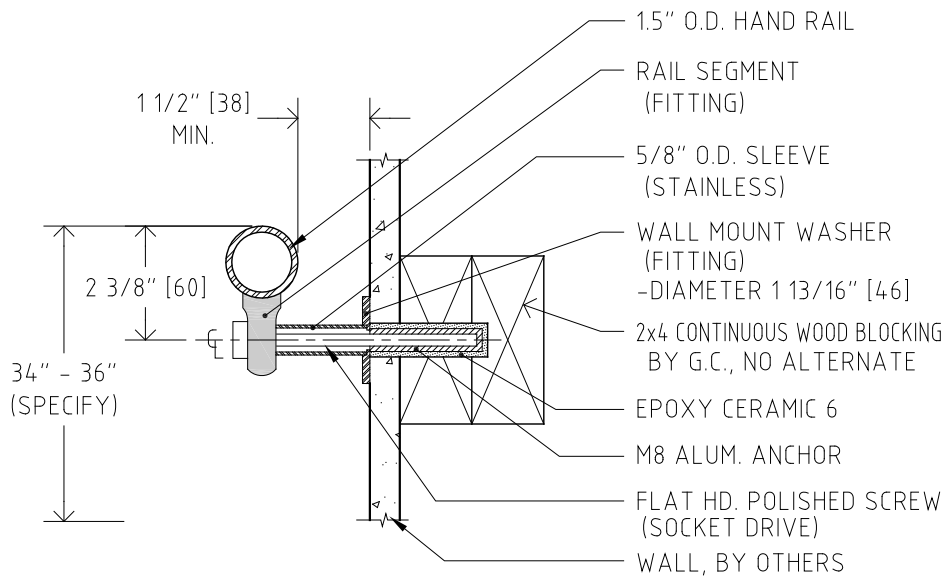
1 DETAIL SECTION: HAND RAIL TERMINATION, STANDARD
D-32 SCALE: 3" = 1'-0"



2 DETAIL SECTION: HAND RAIL TERMINATION, ALTERNATE
D-32 SCALE: 3" = 1'-0"

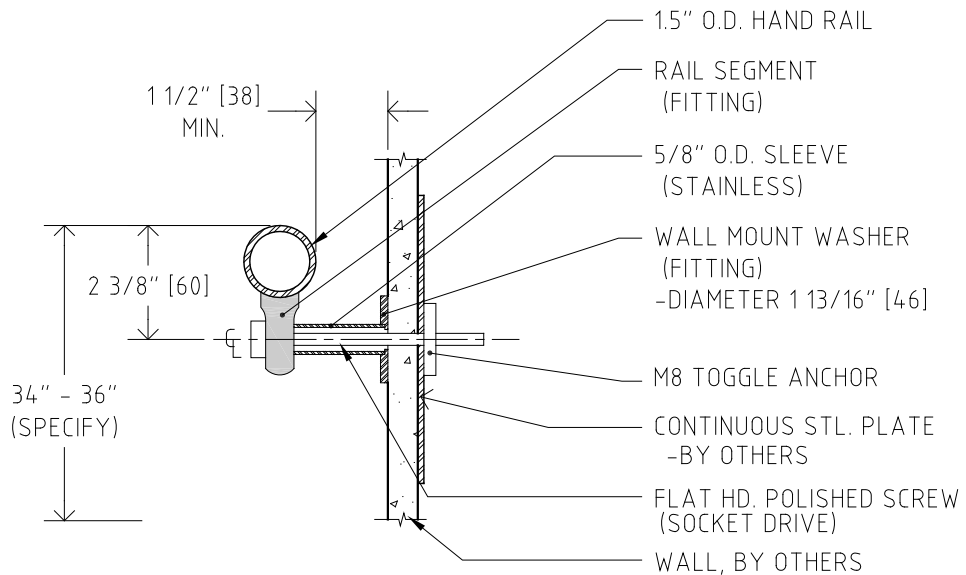
NOTES:

FITTINGS IN 304 STAINLESS STEEL.
ARCHITECT SPECIFY FINISH: POLISHED
OR SATIN (SANDBLASTED).



NOTE:
THIS TECHNIQUE ALSO APPLICABLE TO
BLOCK, BRICK AND CONCRETE WALLS.

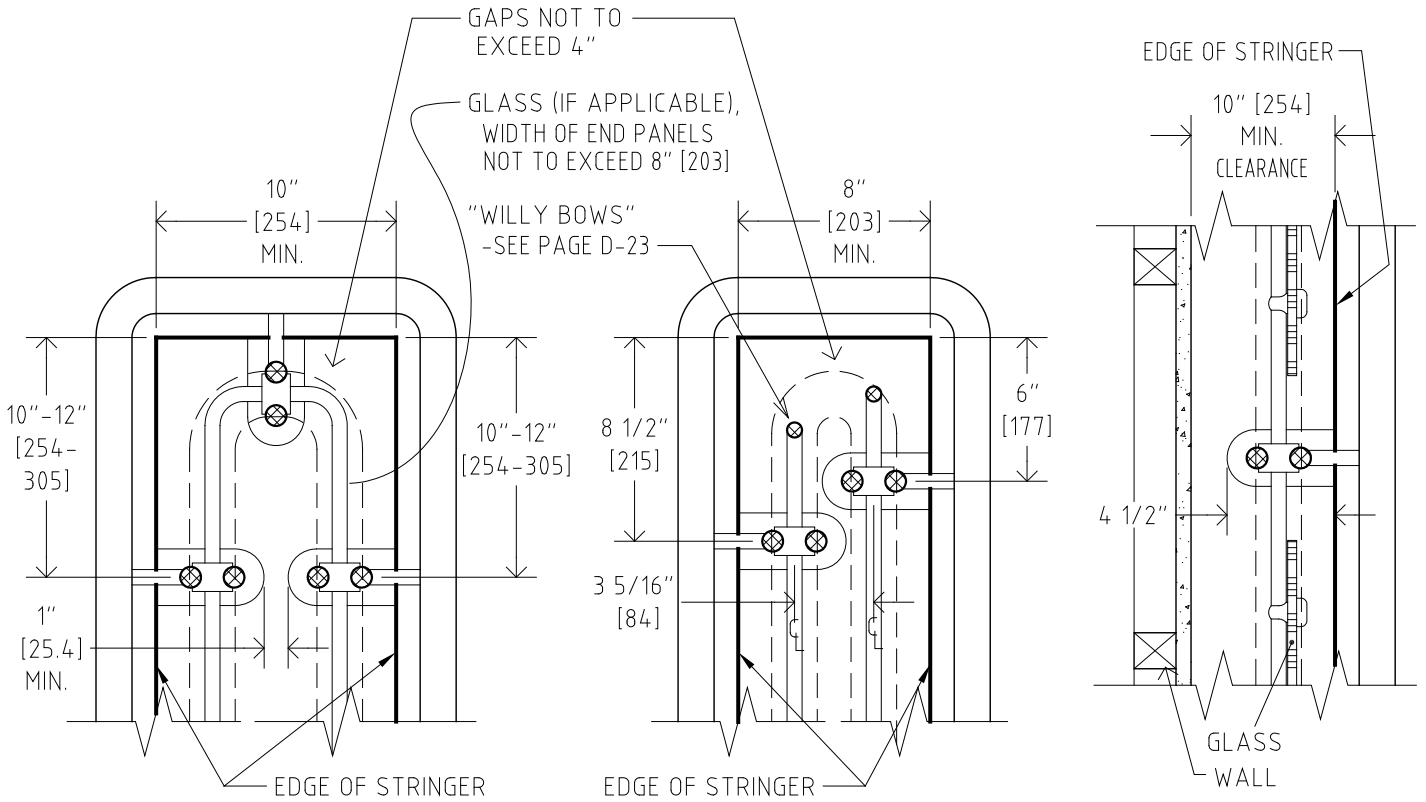
1 DETAIL SECTION: WALL MOUNT BRACKETS, STANDARD
D-33 SCALE: 3" = 1'-0"



2 DETAIL SECTION: WALL MOUNT BRACKETS, ALTERNATE
D-33 SCALE: 3" = 1'-0"

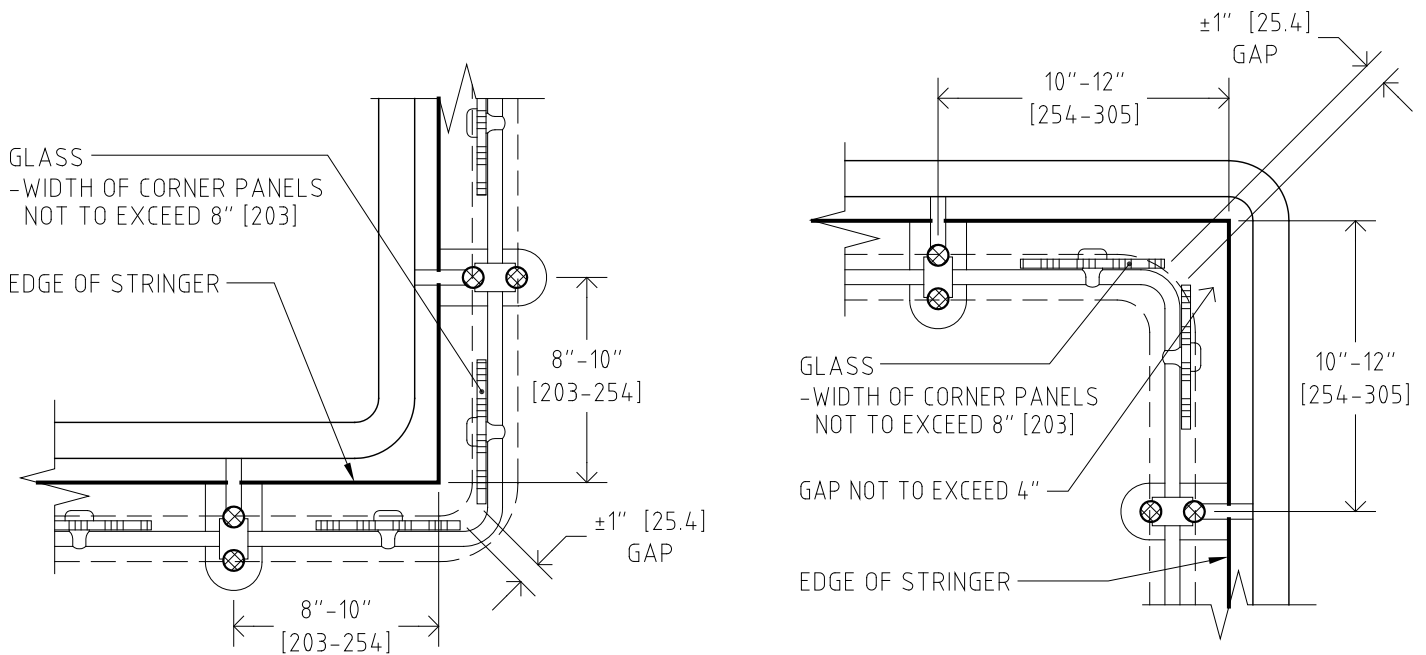
NOTES:

FITTINGS IN 304 STAINLESS STEEL.
ARCHITECT SPECIFY FINISH: POLISHED
OR SATIN (SANDBLASTED).



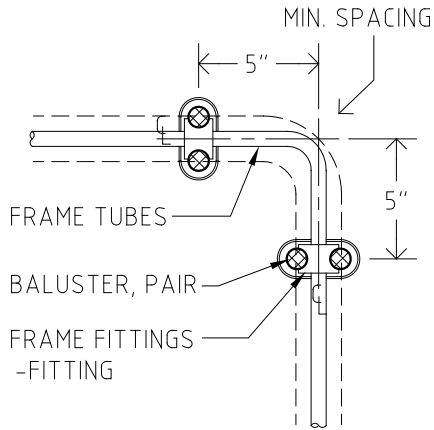
1 MINIMUM WIDTH, SIDE MOUNT AT EYE
D-34 SCALE: 1 1/2" = 1'-0"

2 SIDE MOUNT NEAR WALL
D-34 SCALE: 1 1/2" = 1'-0"



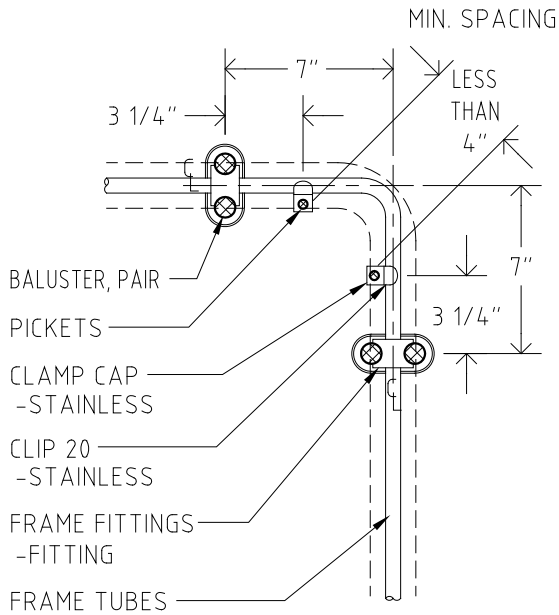
3 SIDE MOUNT OUTSIDE AT CORNER
D-34 SCALE: 1 1/2" = 1'-0"

4 SIDE MOUNT INSIDE AT CORNER
D-34 SCALE: 1 1/2" = 1'-0"



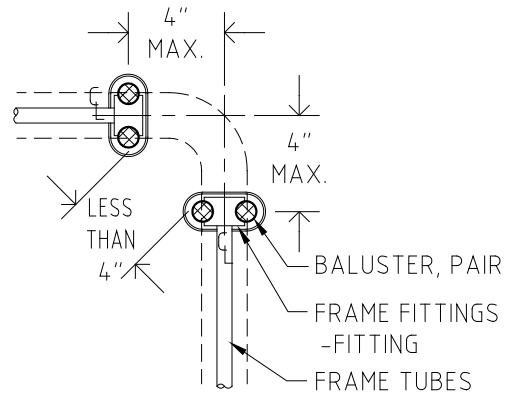
1
D-35

DETAIL PLAN: FRAME TUBE AT CORNERS
SCALE: 1 1/2" = 1'-0"



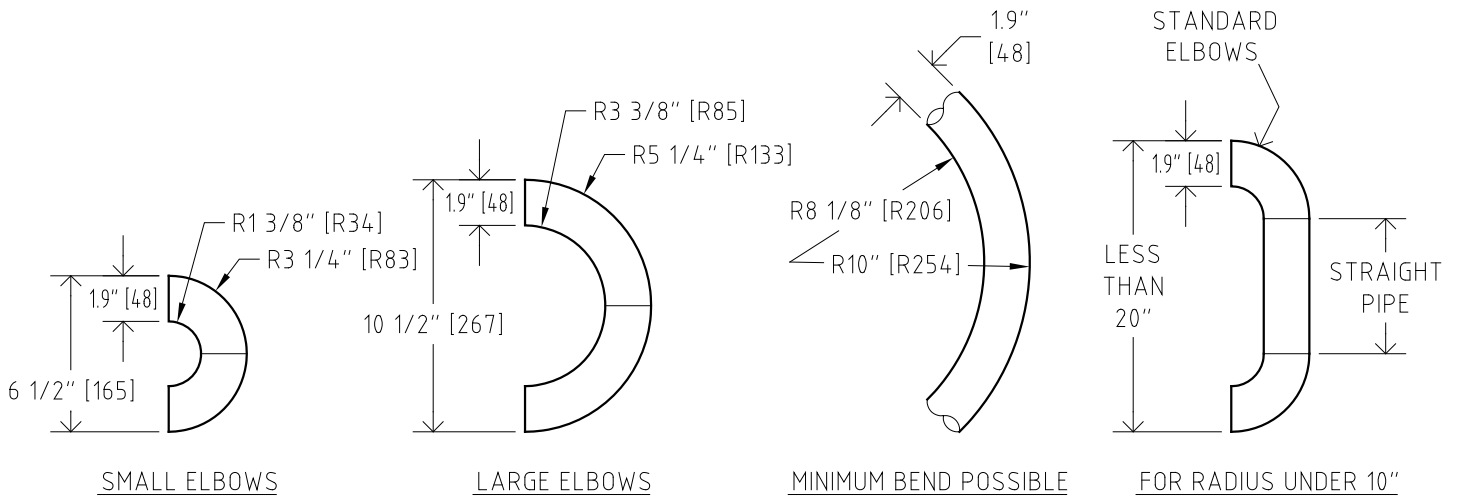
2
D-35

DETAIL PLAN: CORNER GAP w/ PICKETS
SCALE: 1 1/2" = 1'-0"

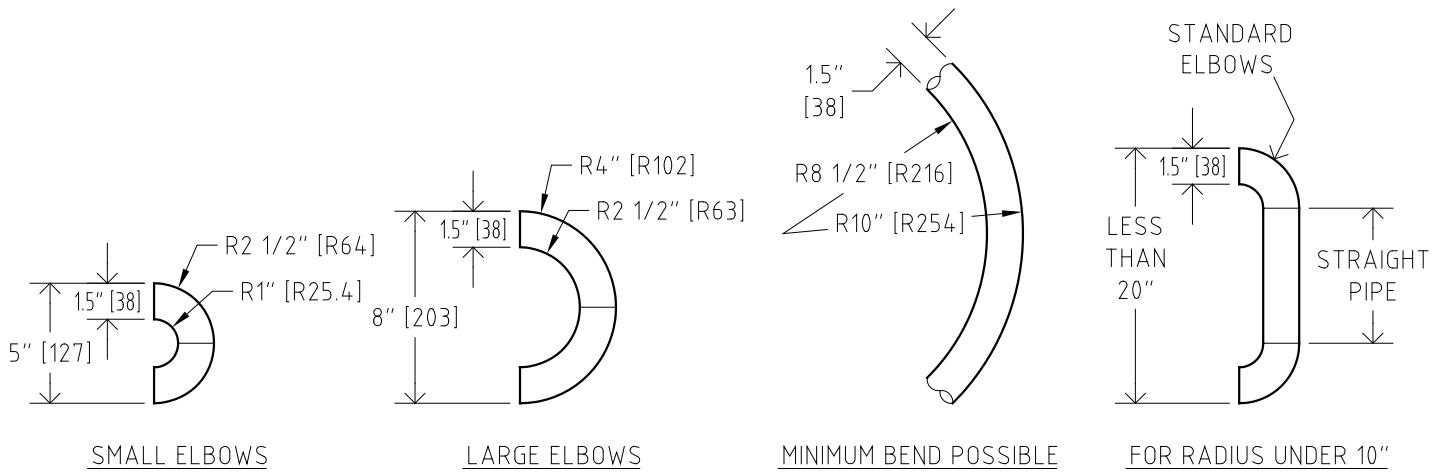


3
D-35

DETAIL PLAN: OPEN CORNER GAP
SCALE: 1 1/2" = 1'-0"



1 TOP VIEWS: ELBOWS AND BENDS FOR 1.9" O.D. PIPE
 D-36 SCALE: 1 1/2" = 1'-0"



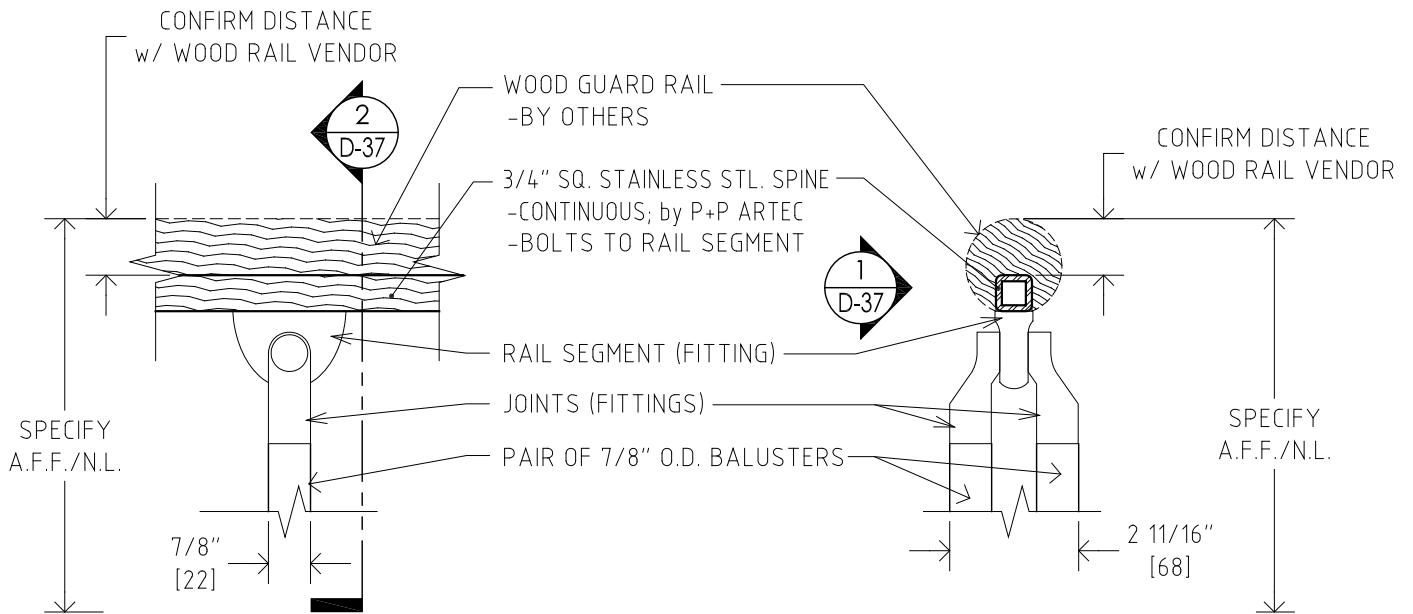
2 TOP VIEWS: ELBOWS AND BENDS FOR 1.5" O.D. PIPE
 D-36 SCALE: 1 1/2" = 1'-0"

NOTES:

HANDRAIL TUBES IN 304 STAINLESS STEEL - 1.9" O.D. APPROVED BY A.D.A. (1 7/8" O.D.) OR 1.5" O.D. (1 1/2") WITH 360-400 GRIT FINISH (CIRCUMFERENCIAL).

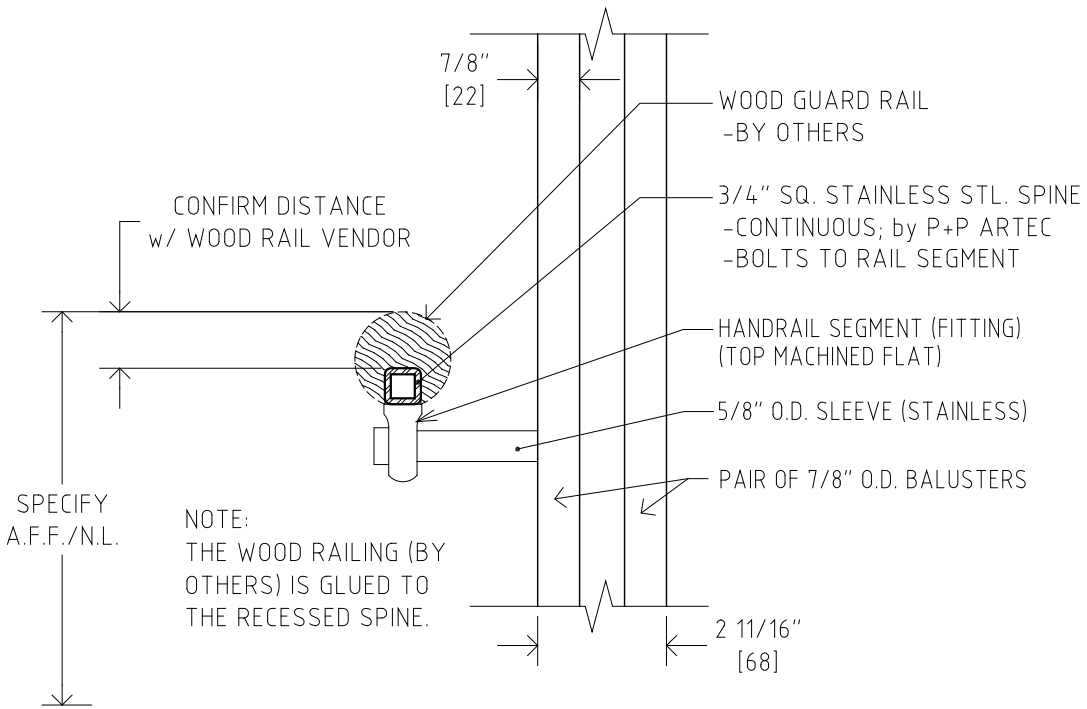


SYSTEM: DOUBLE BALUSTER	STANDARD ELBOWS	1 1/2" = 1'-0" (8.5 x 11)
	MINIMUM TUBE BENDS	
REVISION 2016-05		SHEET D-36 of 38



1 DETAIL ELEVATION: WOOD RAIL
SCALE: 3" = 1'-0"

2 DETAIL SECTION: WOOD GUARD
SCALE: 3" = 1'-0"



3 DETAIL SECTION: WOOD HAND RAIL
SCALE: 3" = 1'-0"

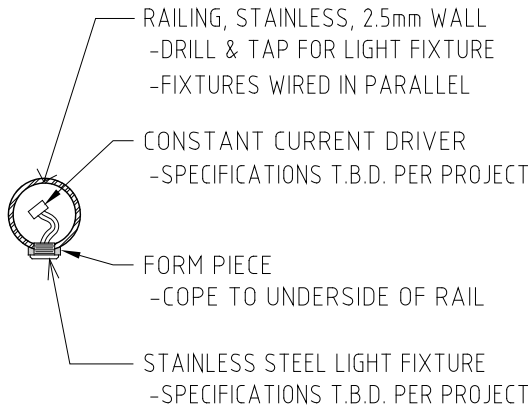


SYSTEM: DOUBLE BALUSTER
REVISION 2016-05

WOOD RAILINGS
DETAILS

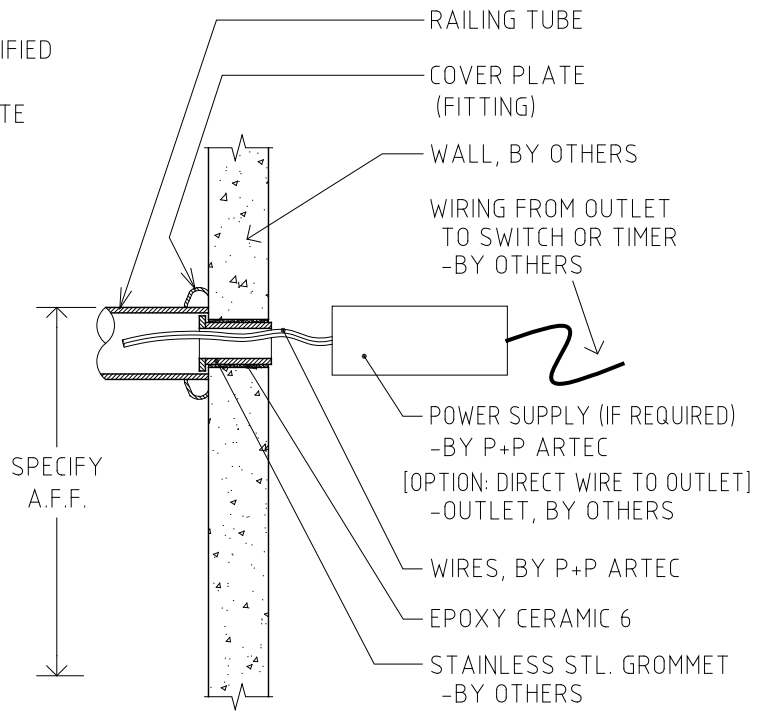
3" = 1'-0" (8.5 x 11)
SHEET D-37 of 38

NOTE:
 CONNECTION TO MAIN POWER SUPPLY PERFORMED BY CERTIFIED
 ELECTRICIANS, PRIOR TO L.E.D. HAND RAIL INSTALLATION /
 CONNECTION WITH THE RAILING SYSTEM. G.C. TO COORDINATE

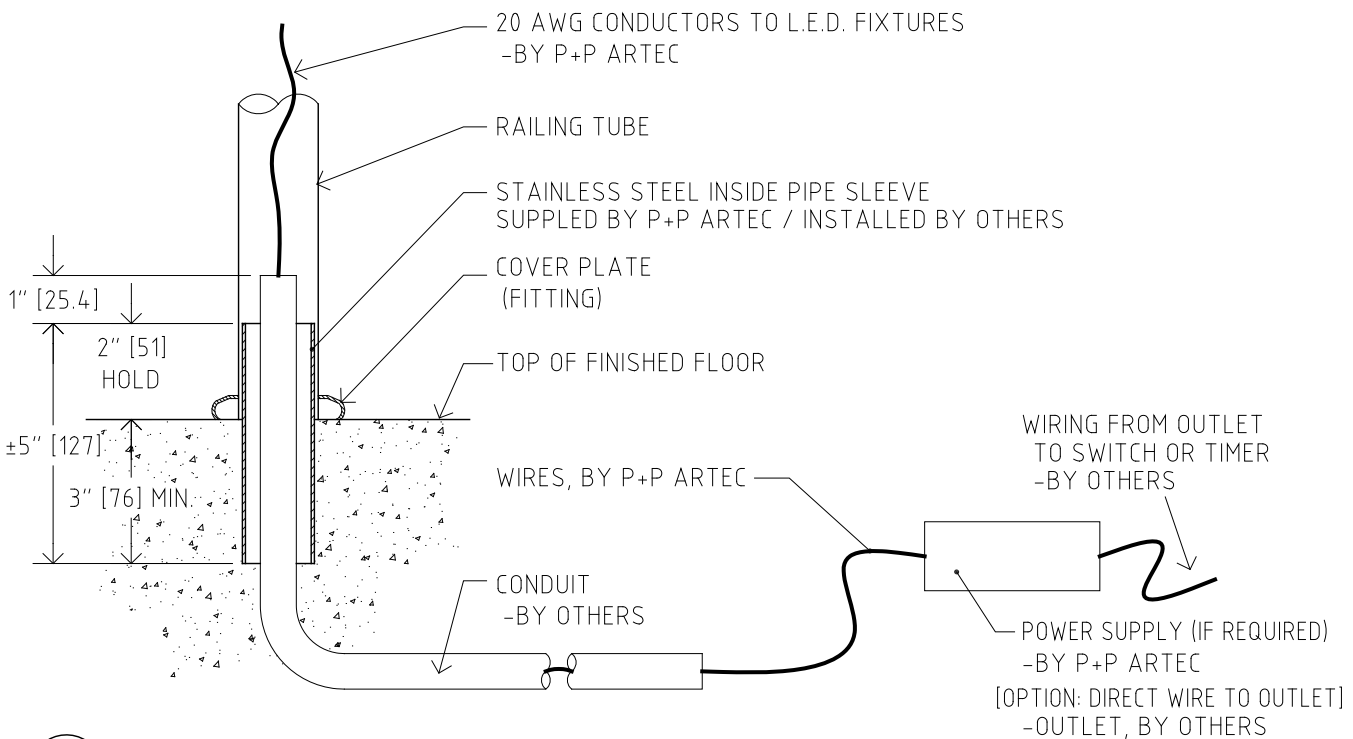


FEEDER CABLE: 20 AWG
 FIXTURE WIRES: 22 AWG w/ POST TAP CONNECTORS

1
 D-38 DETAIL SECTION: L.E.D. AT RAILING
 SCALE: 3" = 1'-0"



2
 D-38 DETAIL SECTION: POWER SOURCE FROM WALL
 SCALE: 3" = 1'-0"



3
 D-38 DETAIL SECTION: POWER SOURCE FROM FLOOR
 SCALE: 3" = 1'-0"



SYSTEM: DOUBLE BALUSTER	L.E.D. LIGHTING	3" = 1'-0" (8.5 x 11)
	DETAILS	
REVISION 2016-05		SHEET D-38 of 38